


SUBMIT BIDS TO:	CITY OF TUSCALOOSA P.O. BOX 2089 TUSCALOOSA, AL 35403	PURCHASING OFFICE 2201 UNIV. BLVD. TUSCALOOSA, AL 35401	INVITATION TO BID CITY OF TUSCALOOSA										
BID TITLE MISCELLANEOUS FURNITURE FOR ALBERTA TECHNOLOGY CENTER			BID NO. 8027-120215-1										
PAGE 1 OF 7 PAGES	BIDS WILL BE OPENED AT 2:00 PM ON DECEMBER 2, 2015 IN THE OFFICE OF THE PURCHASING AGENT, 2201 UNIVERSITY BLVD. TUSCALOOSA, AL 35401 AND MAY NOT BE WITHDRAWN FOR THIRTY (30) DAYS AFTER SUCH DATE & TIME.		ISSUE DATE 11/04/2015										
 <p style="text-align: center;">MAYOR WALTER MADDOX</p> <p style="text-align: center;">COUNCIL MEMBERS</p> <table border="0" style="width: 100%;"> <tr> <td>PHYLLIS W. ODOM</td> <td>MATTHEW CALDERONE</td> </tr> <tr> <td>HARRISON TAYLOR</td> <td>KIP TYNER</td> </tr> <tr> <td>CYNTHIA LEE ALMOND</td> <td>EDDIE PUGH</td> </tr> <tr> <td>SONYA MCKINSTRY</td> <td></td> </tr> </table> <table border="0" style="width: 100%;"> <tr> <td>CITY CLERK TRACY B. CROOM</td> <td>PURCHASING AGENT DAVID COGGINS</td> </tr> </table>		PHYLLIS W. ODOM	MATTHEW CALDERONE	HARRISON TAYLOR	KIP TYNER	CYNTHIA LEE ALMOND	EDDIE PUGH	SONYA MCKINSTRY		CITY CLERK TRACY B. CROOM	PURCHASING AGENT DAVID COGGINS	<p style="text-align: center;">Vendor Information (SECTION TO BE COMPLETED BY VENDOR)</p> <hr/> <p>Company Name (Please Print) _____</p> <hr/> <p>Phone Number _____ Fax Number _____</p> <hr/> <p>Email Address _____</p>	
PHYLLIS W. ODOM	MATTHEW CALDERONE												
HARRISON TAYLOR	KIP TYNER												
CYNTHIA LEE ALMOND	EDDIE PUGH												
SONYA MCKINSTRY													
CITY CLERK TRACY B. CROOM	PURCHASING AGENT DAVID COGGINS												

GENERAL CONDITIONS OF INVITATIONS TO BID

1. **PREPARATION OF BIDS**
Bids will be prepared in accordance with the following:
 - (a) Our enclosed Bid Proposal Form is to be used in submitting your bid.
 - (b) All information required by the Bid form shall be furnished. The bidder shall print or type his name and manually sign the schedule and each continuation sheet on which any entry is made.
 - (c) Unit prices shall be shown and where there is an error in extension of price, the unit price shall govern.
 - (d) Proposed delivery time must be shown and shall include Sundays and holidays.
 - (e) Bidder will not include federal taxes nor State of Alabama sales, excise, and use taxes in bid prices as the City is exempt from payment of such taxes. An exemption certificate will be signed where applicable upon request.
 - (f) Bidders shall thoroughly examine the drawings, specifications, schedule, instructions and all other contract documents.
 - (g) Bidders shall make all investigations necessary to thoroughly inform themselves regarding plant and facilities for delivery of material and equipment as required by the bid conditions. No plea of ignorance by the bidder of conditions that exist or that may hereafter exist as a result of failure or omission on the part of the bidder to make the necessary examinations and investigations, or failure to fulfill in every detail the requirements of the contract documents, will be accepted as a basis for varying the requirements of the City or the compensation to the vendor.
 - (h) Bidders are advised that all City Contracts are subject to all legal requirements provided for in the Purchasing ordinance and/or State and Federal Statutes.

2. **DESCRIPTION OF SUPPLIES**
 - (a) Any manufacturer's names, trade names, brand name, or catalog numbers used in specifications are for the purpose of describing and establishing general quality levels. SUCH REFERENCES ARE NOT INTENDED TO BE RESTRICTIVE. Bids will be considered for any brand which meets the quality of the specifications listed for any items.
 - (b) Bidders are required to state exactly what they intend to furnish, otherwise they shall be required to furnish the items as specified.
 - (c) Bidders will submit, with their proposal, data necessary to evaluate and determine the quality of the item(s) they are bidding.

3. **SUBMISSION OF BIDS**
 - (a) Bids and changes thereto shall be enclosed in sealed envelopes addressed to David Coggins, Purchasing Agent, 2201 University Blvd., Tuscaloosa, Alabama. The name and address of the bidder, the date and hour of the bid opening and the material or service bid on shall be placed on the outside of the envelope.
 - (b) Bids must be submitted on the forms furnished. Telegraphic bids will not be considered.

4. **REJECTION OF BIDS**
 - (a) The City may reject a bid if:
 1. The bidder misstates or conceals any material fact in the bid, or if,
 2. The bid does not strictly conform to the law or requirement of bid, or if,
 3. The bid is conditional, except that the bidder may qualify his bid for acceptance by the City on an "all or none" basis, or a "low item" basis. An "all or none" basis bid must include all items upon which bids are invited.
 - (b) The City may, however, reject all bids whenever it is deemed in the best interest of the City. The City may also waive any minor informalities or irregularities in any bid.

5. **WITHDRAWAL OF BIDS**
 - (a) Bids may not be withdrawn after the time set for the bid opening for a period of time as specified.
 - (b) Bids may be withdrawn prior to the time set for the bid opening.

6. LATE BIDS OR MODIFICATIONS

- (a) Bids and modifications received after the time set for the bid opening will not be considered.
- (b) Modifications in writing received prior to the time set for the bid opening will be accepted.

7. CLARIFICATIONS OR OBJECTION TO BID SPECIFICATIONS

If any person contemplating submitting a bid for this contract is in doubt as to the true meaning of the specifications or other bid documents of any part thereof, he may submit to the Purchasing Agent on or before five (5) days prior to scheduled opening a request for clarification. All such request for information shall be made in writing and the person submitting the request will be responsible for its prompt delivery. Any objection to the specifications and requirements as set forth in this bid must be filed in writing with the Purchasing Agent on or before five (5) days prior to scheduled opening.

8. DISCOUNTS

- (a) Bidders may offer a cash discount for prompt payment; however, such discounts shall NOT be considered in determining the lowest net cost for bid evaluation purposes. Bidders are encouraged to reflect cash discounts in the unit prices quoted.
- (b) In connection with any discount offered, time will be computed from the date of receipt of supplies or services or from the date a correct invoice is received, whichever is the later date. Payment is deemed to be made on the date of mailing of the check.

9. SAMPLES

Samples, when required, must be submitted within the time specified at no expense to the City of Tuscaloosa. If not destroyed or used up during testing, samples will be returned upon request at the bidder's expense, unless stated otherwise in Special Conditions or Specifications. Each individual sample must be labeled with bidder's name and manufacturer's brand name and number.

10. AWARD OF CONTRACT

- (a) The contract will be awarded to the lowest responsible bidder based upon the following factors: quality, conformity with specifications; purpose for which required; terms of delivery; transportation charges; dates of delivery.
- (b) The city reserves the right to accept and award item by item, and/or by group, or in the aggregate, unless the bidder qualifies his bid by specified limitations. Re Par.4(a)3.
- (c) If two or more bids received are for the same total amount or unit price, quality and service being equal, the contract shall be awarded to a local bidder.
- (d) Prices quoted must be FOB Tuscaloosa with all transportation charges prepaid unless otherwise specified in the Invitation to Bid.
- (e) A written award of acceptance (Purchase Order), mailed or otherwise furnished to the successful bidder shall result in a binding contract.

11. DELIVERY

- (a) Deliveries are to be FOB Destination unless otherwise specified in the Invitation to Bids.
- (b) Deliveries are to be made during regular business hours.

12. CONDITION OF MATERIALS AND PACKAGING

All items furnished must be new and free from defects. No others will be accepted under the terms and intent of this bid. All containers shall be new and suitable for storage or shipment, and price bid shall include standard commercial packaging.

13. CLAIMS

Successful bidder(s) will be responsible for making any and all claims against carriers for missing or damaged items.

14. LOCAL, STATE, AND FEDERAL COMPLIANCE REQUIREMENTS

Bidders shall comply with all local, state, and federal directives, orders and laws as applicable to this bid and subsequent contract(s).

15. PROVISION FOR OTHER AGENCIES

Unless otherwise stipulated by the bidder, the bidder agrees when submitting his bid to make available to all City agencies, departments, and in-city municipalities the bid prices he submits, in accordance with the bid terms and conditions, should any said department, agency, or municipality wish to buy under this proposal.

16. COLLUSION

The bidder, by affixing his signature to this proposal, agrees to the following: "Bidder certifies that his bid is made without previous understanding, agreement, or connection with any person, firm, or corporation making a bid for the same items and is in all respects fair, without outside control, collusion, fraud, or otherwise illegal action".

17. VARIANCE IN CONDITIONS

Any and all special conditions and specifications attached hereto which varies from General Conditions shall have precedence.

18. MINORITY / DISADVANTAGED BUSINESS ENTERPRISE PROGRAM

The City of Tuscaloosa has voluntarily adopted a Minority / Disadvantaged Business Enterprise ("MBE/DBE/WBE") Program called Tuscaloosa Builds, which is designed to encourage the participation and development of minority and disadvantaged business enterprises and to promote equal business opportunities to the fullest extent allowed by state and federal law. To learn more about this program, visit <http://www.tuscaloosarecovery.com/blog/category/tuscaloosa-builds/>.

** PRELIMINARY BID TAB WILL BE POSTED ON THE CITY'S WEBSITE ONCE AVAILABLE.

SPECIAL CONDITIONS

The General Conditions of Invitations to Bid and any Special Conditions stated shall be considered as part of the specifications of the bid.

Reference to brand names and numbers is descriptive, but not restrictive, unless otherwise specified. Bids on equivalent items meeting the standards of quality thereby indicated will be considered, providing the bid clearly describes the article offered and indicates how it differs from the referenced brands. **Descriptive literature and manufacturer's specifications plus any supplemental information necessary for comparison purposes must be submitted with the bid or the bid on that item will be rejected.** Reference to literature submitted with a previous bid or on file with the Division of Purchasing will not satisfy this requirement.

The burden is on the bidder to demonstrate that the item bid is equivalent to the item specified in the ITB. Any exceptions taken to any item(s) must be fully explained in written detail on bidders' letterhead and attached to the bid when submitted.

Awards shall be made or contracts entered into with the lowest responsible bidder(s) meeting all specifications and terms and conditions established by the Division of Purchasing. The Division of Purchasing reserves the right to determine the lowest responsible bidder on the basis of an individual item or group of items. Delivery dates may be a factor in awards.

The issuance of a City of Tuscaloosa Purchase Order or Purchasing Card is required to constitute a contract between the vendor and the City of Tuscaloosa, which shall bind the vendor to furnish and deliver the commodities and/or services ordered at the prices, terms, and conditions quoted.

Questions concerning the bid process should be directed to David Coggins at (205) 248-5186 or dcoggins@tuscaloosa.com (e-mail is preferred). Questions concerning Specifications should be directed to John W. Burkhalter at (205) 826-1512.

Any addendums issued for this bid will be posted on the City Of Tuscaloosa website at <http://www.tuscaloosa.com/e-services/bids>. It is the responsibility of the bidder to check this page for any addendums before submitting their bid.

Vendor to submit the following:

- Signed Special Conditions page
- Any necessary descriptive literature and/or specifications information as outlined above and/or elsewhere in this document
- Completed and signed Bid Submissions page
- Completed and signed Bidder's Response Form

NOTE: Sheet(s) submitted without Company Name & Signature WILL NOT be considered for bid award.

Bid submissions shall be submitted in a sealed envelope and addressed to: David Coggins, Purchasing Agent, 2201 University Blvd., Tuscaloosa, Alabama. The name and address of the bidder, the date and hour of the bid opening and the Bid Title shall be placed on the outside of the envelope.

VENDOR MUST SUBMIT AN ORIGINAL BID AND ONE COMPLETE COPY OR THE BID MAY BE REJECTED.

GENERAL INFORMATION

The City Of Tuscaloosa is soliciting bids for Miscellaneous Furniture for the Alberta Technology Center. This Center is currently under construction and will be located at 2614 University Blvd. East in Tuscaloosa.

Included in this document are detailed specifications for the items of furniture to be purchased. If a bidder submits a bid for any brand/model/style other than what is specified, the bidder must include detailed descriptive literature, manufacturer's specifications information, and any other relevant information for the items they are submitting for consideration. The burden is on the bidder to demonstrate that the item bid is equivalent to the item specified in this bid. Failure to include this specification information for alternate brand/model/style items will subject your bid to rejection.

All items must be new and unused, with full manufacturer's warranty in place. All bid submissions shall be inclusive of all freight, shipping, handling, and any other charges.

Special Shipping Instructions: These items cannot be drop-shipped directly to the site. Winning bidder(s) must have items shipped to their place of business, and then transport them to the site when needed. The tentative expected delivery date is March, 2016.

Note: If you are receiving a black & white copy of this bid, a color copy can be downloaded at the Bids page of the City's website, which can be found here: <http://www.tuscaloosa.com/e-services/bids>

Bid Document contains the following:

- Bid Information & Forms – 7 Pages
 - Bid General Conditions – Pages 1-2
 - Bid Special Conditions – Page 3
 - General Information – Page 4
 - Bid Submissions – Page 5
 - Bidder's Response Form – Page 6
 - Non-Bidder's Response Form – Page 7
- Attachment No. 1, Furniture Specifications – 34 Pages
- Attachment No. 2, Furniture Plan – 1 Page

BID SUBMISSIONS

Item No.	Qty.	Brand/Model/Style	Bid as Specified? Y/N	Unit Price	Extended Price
B1	2				
B2	5				
B3	2				
C1	2				
C2L	2				
C2R	4				
C3	52				
C4	2				
C5	4				
C6	10				
C6A	2				
C7	2				
C8	4				
C9	4				
C10	6				
D1/D2	1				
ITC1	2				
L-1	1				
M-1	7				
T1	3				
T2	5				
T3	16				
T4	2				
T5	4				
T6	2				
T7	2				
T8	1				
T9	12				
T10	3				
OD1	1				
OD2	2				
OD3	2				
Grand Total					

Add-Alt 1A	1				
Add-Alt 1B	2				
Add-Alt 1C	2				
Grand Total					

MISCELLANEOUS FURNITURE FOR ALBERTA TECHNOLOGY CENTER

Company _____

BID NO. 8027-120215-1

Signature _____

BIDDER'S RESPONSE FORM

MESSAGE TO BIDDERS: Please review your bid documents for accuracy, completeness, required documentation, and necessary signatures before submitting. Please label the outer mailing/shipping package with the bid information as directed.

COMPANY NAME: _____

CONTACT PERSON: _____

COMPLETE MAILING ADDRESS: _____

AUTHORIZED SIGNATURE: _____

PRINTED NAME: _____

TELEPHONE NUMBER: _____ **FAX NUMBER:** _____

E-MAIL ADDRESS: _____

COPIES SUBMITTED:

_____ **VENDOR MUST SUBMIT AN ORIGINAL BID AND ONE COMPLETE COPY OR THE BID MAY BE REJECTED.**

NOTE: BY SIGNING THIS CONTRACT, THE CONTRACTING PARTIES AFFIRM, FOR THE DURATION OF THE AGREEMENT, THAT THEY WILL NOT VIOLATE FEDERAL IMMIGRATION LAW OR KNOWINGLY EMPLOY, HIRE FOR EMPLOYMENT, OR CONTINUE TO EMPLOY AN UNAUTHORIZED ALIEN WITHIN THE STATE OF ALABAMA. FURTHERMORE, A CONTRACTING PARTY FOUND TO BE IN VIOLATION OF THIS PROVISION SHALL BE DEEMED IN BREACH OF THE AGREEMENT AND SHALL BE RESPONSIBLE FOR ALL DAMAGES RESULTING THEREFROM.

FAILURE TO COMPLETE ALL OF THE ABOVE WITH AN AUTHORIZED SIGNATURE MAY SUBJECT BID TO REJECTION.

NON-BIDDERS RESPONSE FORM

For purposes of maintaining accurate bidder's list and facilitating your firm's response to our invitation for bid, the City of Tuscaloosa is interested in ascertaining reasons for prospective bidders' failure to respond to invitations for bids. If your firm is not responding to this bid, please indicate the reason(s) by checking any appropriate item(s) below and returning this form to Mr. David Coggins, Purchasing Agent, 2201 University Blvd., Tuscaloosa, Alabama 35401. Failure to either submit a bid proposal or return this form may result in removal of your firm's name from our bidder's lists. Thank you for your cooperation.

We are not responding to this invitation for bid for the following reason(s):

___ Items or materials request not manufactured by us or not available to our company.

___ Our items or materials do not meet specifications.

___ Specifications not clearly understood or applicable (too vague, too rigid, etc.)

___ Quantities requested are too small.

___ Insufficient time allowed for preparation of bid.

___ Incorrect address used: Correct mailing address is:

___ Our branch/division handles this type of bid. Correct name and mailing address is:

___ Other reason(s): _____

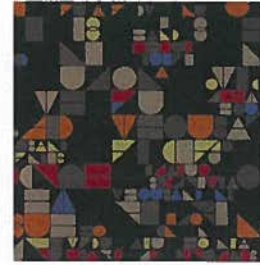
Company Name: _____

Address: _____

City/State/Zip: _____

Signature: _____

Alberta Technology Center Furniture Specifications



Print

ITEM NUMBER	B1
ITEM NAME	Infinium
MANUFACTURER	Arcadia
MODEL NUMBER	3220-18 -U
DESCRIPTION	<ul style="list-style-type: none"> Fully upholstered bench 20-degree angle tapered, 1 left and 1 right Metal legs in standard finish
DIMENSIONS	W18" D27 1/4" H17 1/5"
FINISHES	Polished Aluminum Legs
UPHOLSTERY	Momentum: Geo, Color: Print
LOCATION	Open office 107
QUANTITY	2

Alberta Technology Center Furniture Specifications



Marigold



Verdant



Lacquer

ITEM NUMBER	B2
ITEM NAME	Pebble
MANUFACTURER	Allermuir
MODEL NUMBER	A620, A621, A622
DESCRIPTION	<ul style="list-style-type: none"> • Fully upholstered • molded foam construction, • tubular steel legs with white plastic glides. (optional linking brackets) • White plastic glides • Tubular steel leg in regal silver
DIMENSIONS	OW28.75" OH17"
FINISHES	n/a
UPHOLSTERY	(2) momentum: silica/ marigold, (2) momentum: tetra/ lacquer (1) momentum: tetra/ verdant
LOCATION	Open area 107 at entrance
QUANTITY	5

Alberta Technology Center Furniture Specifications



Unika Vaev-Charmed 66 Mojo

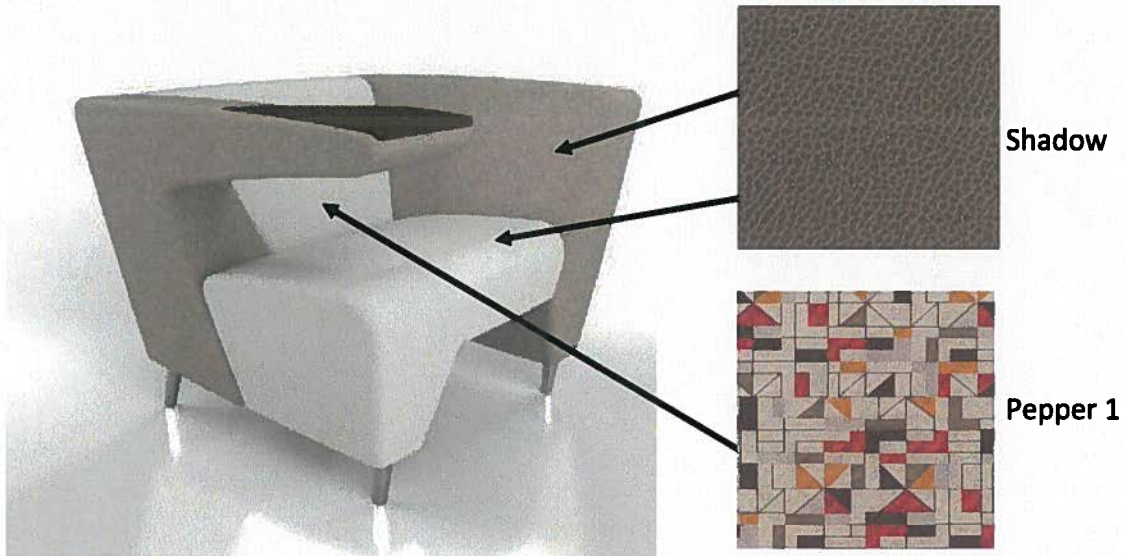
ITEM NUMBER	B3
ITEM NAME	Moment Stool
MANUFACTURER	Nienkamper
MODEL NUMBER	26012
DESCRIPTION	<ul style="list-style-type: none"> • Fully upholstered, • molded foam construction, • Levelers at Bottom
DIMENSIONS	16.5"W 16"H
FINISHES	N/A
UPHOLSTERY	Unika Vaev-Charmed 66 Mojo
LOCATION	Child Activity 110
QUANTITY	2

Alberta Technology Center Furniture Specifications



ITEM NUMBER	C1
ITEM NAME	Freeflex
MANUFACTURER	Allermuir
MODEL NUMBER	FLX740HA
DESCRIPTION	<ul style="list-style-type: none"> • Task Chair that gives the user the freedom to make simple adjustments; to their seat height, seat depth and back height. • Adjustable height arms • 5 star base with casters • Upholstered seat and back
DIMENSIONS	47H x 25W x 25-28 D
FINISHES	Black base and arms
UPHOLSTERY	Momentum: Silica/ Shadow(seat) Sina Pearson: Serendipity/ Tutti Frutti (back)
LOCATION	Open area 107
QUANTITY	2

Alberta Technology Center Furniture Specifications



ITEM NUMBER	C2R & C2L
ITEM NAME	My Way Chair
MANUFACTURER	KI
MODEL NUMBER	S15646292 & S15646291
DESCRIPTION	<ul style="list-style-type: none"> • 4 leg tapered • Tablet arm (C2R:4 right hand, C2L: 2 Left hand) • Ability to sit in variety of positions that allow for collaborative work-spaces and flexible seating patterns. • Black power module/USB (power up/USB S15646729)located on front leg, tablet arm side, With cup holder
DIMENSIONS	W40" D34.5" H29.5"
FINISHES	N/A
UPHOLSTERY	Momentum: Silica Leather/ Shadow; ArcCom: Apex-AC-61580 Pepper 1
LOCATION	Open Area 107, Work Lounge 2 104
QUANTITY	6

Alberta Technology Center

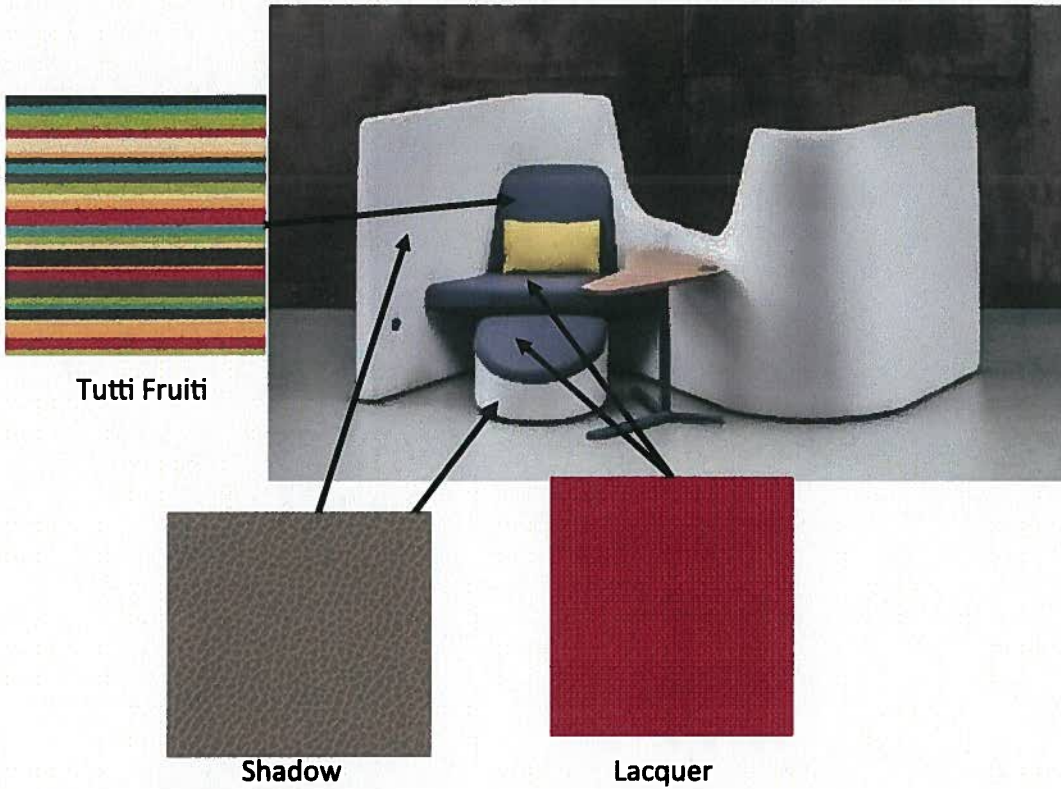
Furniture Specifications



Momentum Kindred-Macaw

ITEM NUMBER	C3
ITEM NAME	Ad-Lib 4 Leg Castors
MANUFACTURER	Senator
MODEL NUMBER	ADL12A
DESCRIPTION	<ul style="list-style-type: none"> • 4 Leg Castors • Two Piece Molded Plastic Seat and Back Frame • upholstered seat • With arms
DIMENSIONS	OW26"-28.7" OD27" OH31.7"-36.4"
FINISHES	poly back in anthracite, chrome legs
UPHOLSTERY	Seat: Momentum-Kindred Macaw
LOCATION	Work Lounge 2- 104, Training 121, Work Lounge 1- 116
QUANTITY	52

Alberta Technology Center Furniture Specifications



ITEM NUMBER	C4
ITEM NAME	Vee
MANUFACTURER	Allermuir
MODEL NUMBER	VE01RH
DESCRIPTION	<ul style="list-style-type: none"> • Semi-enclosed seating space. • low/high arm style • Available in both left and right hand configurations. • No Pillow • USB/Power
DIMENSIONS	57" W X 41" D X 47" H, Seat Height 17" H
FINISHES	N/A
UPHOLSTERY	Momentum: Silica Leather/Shadow, Sina Pearson:Serendipity/ Tutti Frutti, Momentum: Tetra/ Lacquer
LOCATION	Open Area 107
QUANTITY	2

Alberta Technology Center Furniture Specifications



ITEM NUMBER	C5
ITEM NAME	Spot
MANUFACTURER	Arcadia
MODEL NUMBER	2110, 2110-TA
DESCRIPTION	<ul style="list-style-type: none"> • Non-Locking Casters w/ semi soft treads • Laminate Rotating Tablet arm • Underneath storage • Upholstered seat • 350lb weight limit
DIMENSIONS	W17.5" D22.5" SH17.5" 26"H (w/ Tablet)
FINISHES	Maple on the inside, Corian White Tablet, Chrome on Mounting Post
UPHOLSTERY	(2) Momentum: Row/ Blaze (2) Momentum: Row/ marigold
LOCATION	110 Child Activity
QUANTITY	4

Alberta Technology Center Furniture Specifications



Red (RD)

ITEM NUMBER	C6
ITEM NAME	Crepe Counter Height
MANUFACTURER	Leland
MODEL NUMBER	CEC-MP (Maple Shell)
DESCRIPTION	<ul style="list-style-type: none"> • 4 leg powder coat finish • Veneer seat • Curved plywood technology
DIMENSIONS	W19.5" D23.5" BH37" SH25"
FINISHES	RD Red Semi Opaque Finish on Maple; ST Sterling Frame
UPHOLSTERY	N/A
LOCATION	Coffee Seating 109B
QUANTITY	10

Alberta Technology Center

Furniture Specifications



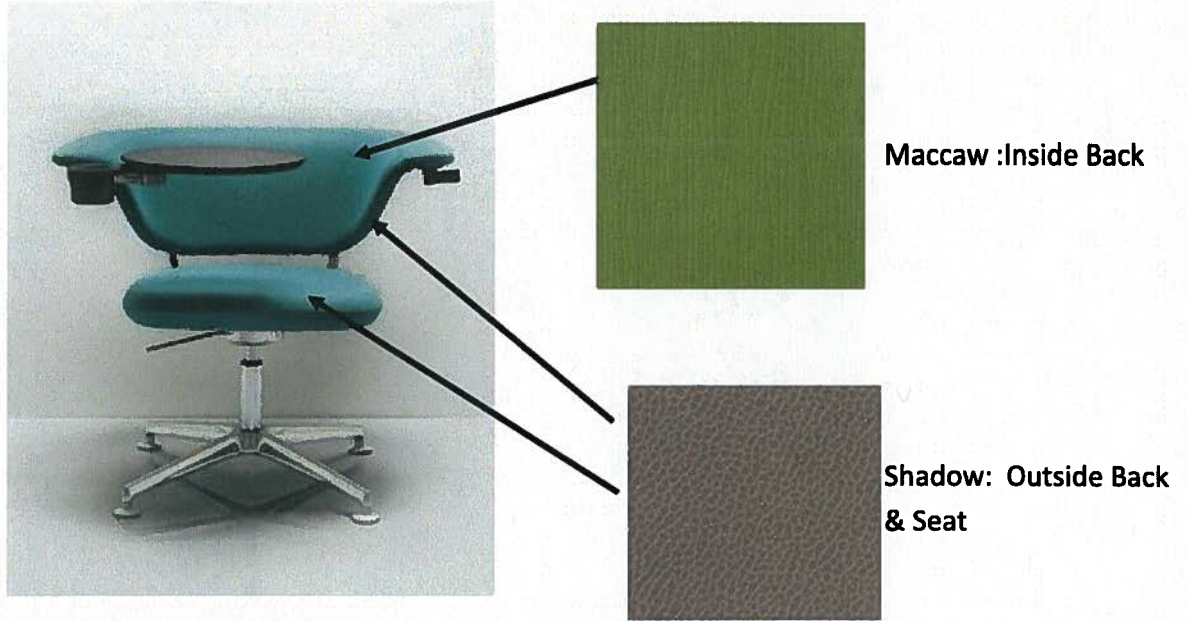
ITEM NUMBER	C6A
ITEM NAME	Crepe Chair
MANUFACTURER	Leland
MODEL NUMBER	CES-MP (Maple Shell)
DESCRIPTION	<ul style="list-style-type: none"> • 4 leg powder coat finish • Veneer seat • Curved plywood technology
DIMENSIONS	W19.5" D24" H32.5"
FINISHES	RD Red Semi Opaque Finish on Maple; ST Sterling Frame
UPHOLSTERY	N/A
LOCATION	Coffee Seating 109B
QUANTITY	2

Alberta Technology Center Furniture Specifications



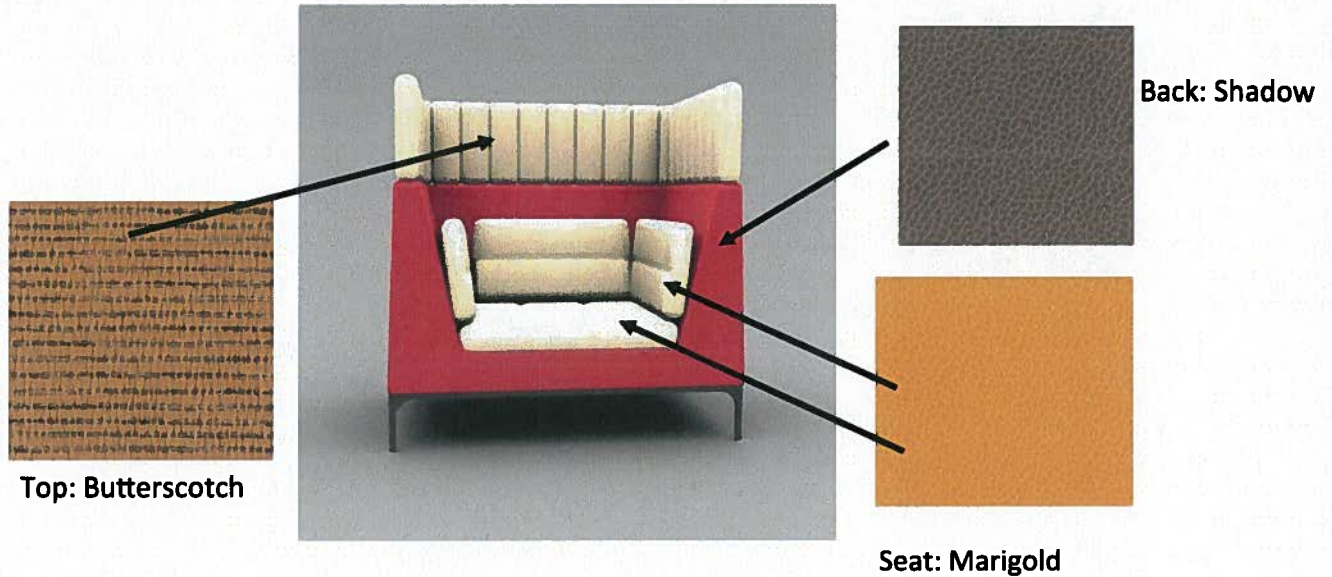
ITEM NUMBER	C7
ITEM NAME	Ad-Lib Scholar
MANUFACTURER	Allermuir –The Senator Group
MODEL NUMBER	ADLED1A
DESCRIPTION	<ul style="list-style-type: none"> • base on casters • Poly seat and back. • Tablet Arm with cup holder
DIMENSIONS	24" W x 25" D x 35" H
FINISHES	Anthracite base/frame, seat and back
UPHOLSTERY	N/A
LOCATION	Children's Area 110
QUANTITY	2

Alberta Technology Center Furniture Specifications



ITEM NUMBER	C8
ITEM NAME	Sholes Chair
MANUFACTURER	Allermuir –The Senator Group
MODEL NUMBER	SHL01
DESCRIPTION	<ul style="list-style-type: none"> • 5 star base on casters • fully upholstered seat and back. • Tablet Arm with cup holder • Adjustable seat • utilizes a molded PU seat and back for enhanced durability in learning environments.
DIMENSIONS	29"-34" H x 32"W x 25" D
FINISHES	Base-Aluminum
UPHOLSTERY	Momentum: Kindred/ Macaw (inside back) Momentum: Silica Leather/ Shadow (outside back and seat)
LOCATION	Open Area 107
QUANTITY	4

Alberta Technology Center Furniture Specifications



ITEM NUMBER	C9
ITEM NAME	Haven
MANUFACTURER	Allermuir
MODEL NUMBER	HA102HR
DESCRIPTION	<ul style="list-style-type: none"> • Upholstered chair • Molded foam construction • Secured seat cushions • Aluminum frame and legs • Plastic glides • To have power/USB Outlet on front of each unit above the leg
DIMENSIONS	SW27.6" OD32" OH47.5"
FINISHES	Metal leg to be silver
UPHOLSTERY	Momentum: Silica Leather/ Shadow (back) Momentum: Silica Leather/ Marigold (Seat) Arc Com AC61303 #4 Butterscotch (top)
LOCATION	Open Area 107
QUANTITY	4

Alberta Technology Center

Furniture Specifications



ITEM NUMBER	C10
ITEM NAME	Catena
MANUFACTURER	Landscape Forms
MODEL NUMBER	Catena
DESCRIPTION	Outdoor aluminum chair with arms
DIMENSIONS	23 x 31 x 31
FINISHES	Powdercoat in Silver
UPHOLSTERY	N/A
LOCATION	Outdoor Patio
QUANTITY	6

Alberta Technology Center

Furniture Specifications



Laminate Casework



Corian Tops

ITEM NUMBER	D1/ D2 Combination
ITEM NAME	Reception Desk
MANUFACTURER	Logiflex
MODEL NUMBER	REC6096MANLGR, RECSPECMAN, RE18MOBF, RE18MOBFE
DESCRIPTION	<p>CUSTOM RECEPTION/IT WORK DESKS</p> <p>D1: UPPER AND LOWER CORIAN WORK SURFACES WITH DECORATIVE GLASS SCREEN BETWEEN SURFACES, LAMINATED CABINET CHASSIS WITH BOX BOX FILE AND A SPECIAL 2DRAWER LAPTOP STORAGE LOCKABLE DRAWER. (Specifications of laptop drawer to be given at time of fabrication) 4 x 6 grommet opening in leg panel support next to column, Grommets required in desktop or linear wiring slot at back edge of desktop.</p> <p>D2: Work surface with side panel leg supports with 4 x 6 grommet opening in panel leg support next to column.</p>
DIMENSIONS	OVERALL 116-7/16" X 96"
FINISHES	Laminate Lower Cabinet-Wilsonart 4939K-18 Vapor Strandz; Upper Countertops and Work Surface to be Corian-Cameo White
UPHOLSTERY	N/A
LOCATION	Open Area 107
QUANTITY	1

Alberta Technology Center

Furniture Specifications



ITEM NUMBER	ITC1
ITEM NAME	Purecharge Cart
MANUFACTURER	Bretford
MODEL NUMBER	HE405
DESCRIPTION	For iPad and iPad mini, charge-only solution ,charges up to 40 units
DIMENSIONS	W36.3" D21.8" H38.2"
FINISHES	
UPHOLSTERY	N/A
LOCATION	Stor 123
QUANTITY	2

Alberta Technology Center Furniture Specifications

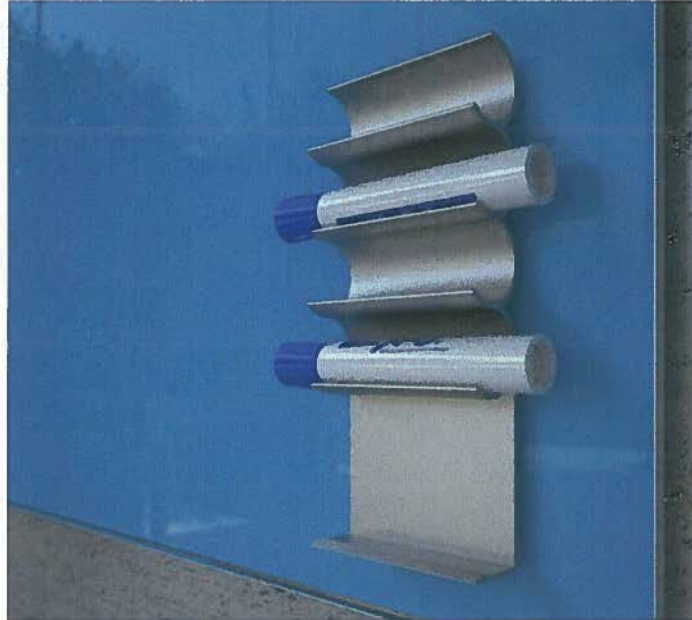


Slate Grey Ash

ITEM NUMBER	L1
ITEM NAME	Vox Presenters Lectern
MANUFACTURER	Nienkamper
MODEL NUMBER	23465
DESCRIPTION	<p>Aluminum #23413 Microphone Grommet with XLR Jack Aluminum Paper Stop 14" Wide Pull-out Accessory Shelf With one S Series Forum Model B, pre wired with one data AMP CAT5E, one voice jack and two power receptacles Foot Rest Two 4-5/8" diam. non-marking Casters * legs and screen in clear aluminum finish</p> <p>two doors for storage with push-latches and lock, interior dimensions 25" W x 131/2" D x 171/2" H • Forum for easy user plug-in mounted into lower shelf surface of cabinet, standard 51/4" Forum Option B — 1 voice/1 data/2 power</p>
DIMENSIONS	35-1/2"L x 27-1/2" D x 51-7/8"H
FINISHES	Slate Gray Ash F-21 with AL-01 Aluminum Trim
UPHOLSTERY	N/A
LOCATION	Training 121
QUANTITY	1

Alberta Technology Center

Furniture Specifications



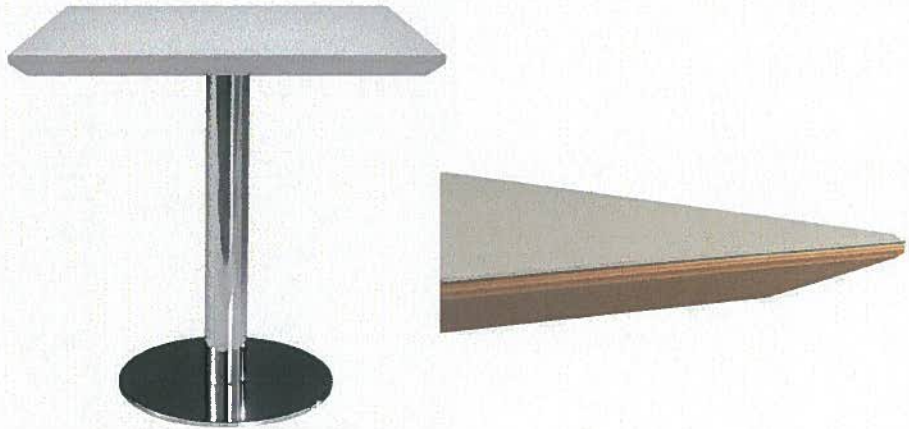
ITEM NUMBER	M1
ITEM NAME	CURVE MARKER HOLDER
MANUFACTURER	Clarus Glass Boards
MODEL NUMBER	CURVE
DESCRIPTION	Clarus Accessories Marker holder with removable adhesive. May apply to wall.
DIMENSIONS	6 3/4" tall x 1" deep x 3" wide
FINISHES	Anodized aluminum finish
UPHOLSTERY	N/A
LOCATION	Work Lounge 2 -104, Training 121, Work Lounge1 -116
QUANTITY	7

Alberta Technology Center Furniture Specifications



ITEM NUMBER	T1
ITEM NAME	Pirouette Table
MANUFACTURER	KI
MODEL NUMBER	PIFR2436T -34S
DESCRIPTION	<ul style="list-style-type: none"> • Heavy Gauged Steel • 2-1/4" Tubular Steel Legs • 1-1/4" Thick Table Top • Angled Leg Base • Casters • Knife Edge
DIMENSIONS	24" X 36"
FINISHES	Top/Edge-LFW Frosty White; Base-SX Starlight Silver
UPHOLSTERY	N/A
LOCATION	WORK LOUNGE 2 (104)
QUANTITY	3

Alberta Technology Center Furniture Specifications



ITEM NUMBER	T2
ITEM NAME	J91 Café Tables
MANUFACTURER	Falcon
MODEL NUMBER	J91
DESCRIPTION	<ul style="list-style-type: none"> • 3/8" Hot Rolled Steel Sheet Rock Machined to the appropriate diameter • 18 Gauge Spun Steel • Standard Adjustable Glide 3/8" • 15300 Reverse Knife Edge • Custom Height
DIMENSIONS	24"w x 24"L x 36"h
FINISHES	D354 Designer White, chrome base
UPHOLSTERY	N/A
LOCATION	Coffee Seating 106B
QUANTITY	5

Alberta Technology Center Furniture Specifications



ITEM NUMBER	T3
ITEM NAME	Piourette Table
MANUFACTURER	KI
MODEL NUMBER	PINR2472T-74P
DESCRIPTION	<ul style="list-style-type: none"> • Heavy Gauged Steel • 2-1/4" Tubular Steel Legs • 1-1/4" Thick Table Top • Angled Leg Base • Grommet/Power up/USB same as S15646729 My Way w/Wire Management (No-Cutouts) • Fabric Modesty Panel • Flipping/Nesting Table on Casters • 3MM PVC Edge
DIMENSIONS	24"W x72"W
FINISHES	Top/Edge-EFW Frosty White; Base-SX Starlight Silver
UPHOLSTERY	BLACK MESH FABRIC MODESTY PANEL
LOCATION	TRAINING 121
QUANTITY	16

Alberta Technology Center

Furniture Specifications



ITEM NUMBER	T4
ITEM NAME	Talon Delta Table
MANUFACTURER	Allermuir
MODEL NUMBER	TAL41DE
DESCRIPTION	<ul style="list-style-type: none"> • Laminate faced top, 1" MDF core, lacquered edge • Polished Aluminum Base • Teflon glides
DIMENSIONS	33.5" x 19" x 25.5" h
FINISHES	Laminate TBD, lacquered edge color TBD
UPHOLSTERY	N/A
LOCATION	Open Area 107
QUANTITY	2

Alberta Technology Center Furniture Specifications



ITEM NUMBER	T5
ITEM NAME	Nios Table
MANUFACTURER	Arcadia
MODEL NUMBER	251-242415
DESCRIPTION	<ul style="list-style-type: none"> • Arc square table • 15" h • Back Painted Glass Top • X base • Portal Unit PP3
DIMENSIONS	24"W x 24"D x 15"h
FINISHES	Back Painted Glass-#94 Cotton; Base-#92 Polished Aluminum
UPHOLSTERY	N/A
LOCATION	Open Area 107
QUANTITY	4

Alberta Technology Center

Furniture Specifications



ITEM NUMBER	T6
ITEM NAME	Gateway
MANUFACTURER	Nienkamper
MODEL NUMBER	42207/5
DESCRIPTION	<ul style="list-style-type: none"> • 48" w media laminated media screen. • 29" h laminate table top with power and data connectivity • Knife Edge
DIMENSIONS	Screen: 48" x 56" Table
FINISHES	Screen-WL-27 Sterling Ash; Table-Frosty White CL-06
UPHOLSTERY	N/A
LOCATION	Lounge 2 104
QUANTITY	2

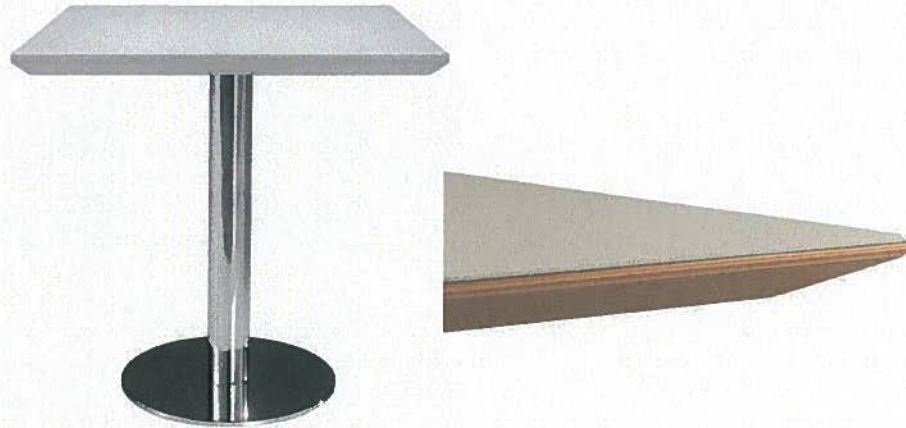
Alberta Technology Center

Furniture Specifications



ITEM NUMBER	T7
ITEM NAME	Trek Table
MANUFACTURER	KI
MODEL NUMBER	TS35FX-KN
DESCRIPTION	<ul style="list-style-type: none"> • Heavy Gauged Steel • 2-1/4" Tubular Steel Legs • 1-1/4" Thick Table Top • Angled Leg Base • Fixed Leg
DIMENSIONS	42" X 42" X 29"h
FINISHES	Top-Frosty White EFW; Base-SX Starlight Silver
UPHOLSTERY	N/A
LOCATION	Work Lounge 1 (116)
QUANTITY	2

Alberta Technology Center Furniture Specifications



ITEM NUMBER	T8
ITEM NAME	Table
MANUFACTURER	Falcon
MODEL NUMBER	J91
DESCRIPTION	<ul style="list-style-type: none"> • 3/8" Hot Rolled Steel Sheet Rock Machined to the appropriate diameter • 18 Guage Spun Steel • Standard Ajustable Glide 3/8" • 15300 Reverse Knife Edge • ADA Emblem inset in laminate top
DIMENSIONS	36"w x 36"L x 29"h
FINISHES	Top-Designer White D354-60 with ADA Emblem; Base-Polished Chrome
UPHOLSTERY	N/A
LOCATION	Coffee Seating 106B
QUANTITY	1

Alberta Technology Center

Furniture Specifications



ITEM NUMBER	T9
ITEM NAME	Pick up tables
MANUFACTURER	Peter Pepper
MODEL NUMBER	
DESCRIPTION	<ul style="list-style-type: none"> • Portable and stackable tables • 16 lbs • Cut out in top can be used as handle and wire management
DIMENSIONS	W18.5" D13.5" H23"
FINISHES	Textured powder coat base with top. 4 Different Colors; Bright White, Green, Yellow, Graphite, 3 Per Color
UPHOLSTERY	N/A
LOCATION	Scattered at different Seats
QUANTITY	12

Alberta Technology Center

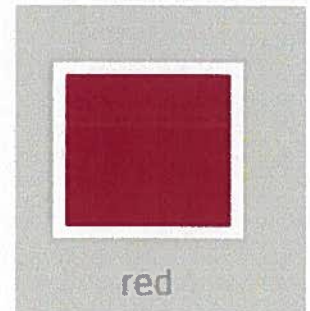
Furniture Specifications



ITEM NUMBER	T10
ITEM NAME	Table with round pedestal base
MANUFACTURER	Landscape Forms
MODEL NUMBER	Parc Centre Sq Table
DESCRIPTION	<p>Aluminum square table with power coat finish</p> <ul style="list-style-type: none"> ● Surface Mount ● Tabletops formed of solid 5/16" steel plate welded to heavy duty steel wall tubing support. ● Base plate: 17" diameter solid steel ● Base available surface mount or freestanding with adjustable levelers.
DIMENSIONS	28" w x 28" d x 30" H
FINISHES	Powder coat in Silver
UPHOLSTERY	N/A
LOCATION	Outdoor Patio
QUANTITY	3

Alberta Technology Center

Furniture Specifications



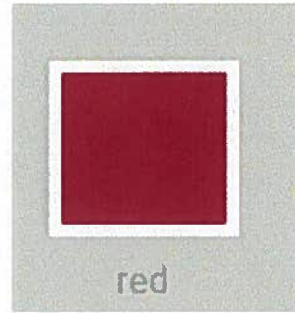
ITEM NUMBER	OD 1
ITEM NAME	Cliffy 360
MANUFACTURER	Six Inch
MODEL NUMBER	N/A
DESCRIPTION	<ul style="list-style-type: none"> • High Quality Polyurethane Foam • 3-6 layers of PU Coat SOFTFLEX • UV stable • 20 Standard Colors available • High Traffic Outdoor • Tie Down
DIMENSIONS	63.5"W 61.5"D 33"H
FINISHES	N/A
UPHOLSTERY	Red
LOCATION	Outdoor Patio
QUANTITY	1

Alberta Technology Center Furniture Specifications



ITEM NUMBER	OD 2
ITEM NAME	Lilly Shade with Solar power option
MANUFACTURER	Six Inch Grove
MODEL NUMBER	GLS-1100
DESCRIPTION	<ul style="list-style-type: none"> • Concrete base, weighted • Aluminum Mast • 86% light blocking shade • Solar components/USB Housing • Corian Shelf • Solar Panel Powered
DIMENSIONS	98"W 70.5"D 93.5"H
FINISHES	Aluminum Mast, Shelf-Antarctica
UPHOLSTERY	N/A
LOCATION	OUTDOOR SPACE
QUANTITY	2

Alberta Technology Center Furniture Specifications

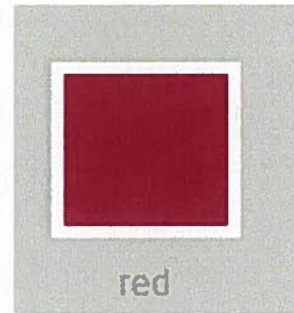
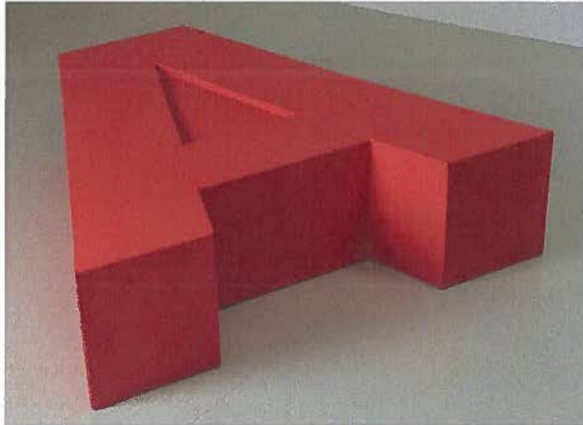


ITEM NUMBER	OD 3
ITEM NAME	Spin
MANUFACTURER	Six Inch Grove –Park Collection
MODEL NUMBER	GSP-1100
DESCRIPTION	<ul style="list-style-type: none"> • Spin table on beam system with 4 seats • Coated foam 18" round seats • Concrete Stones • Corian 48" round table • Aluminum beam
DIMENSIONS	W65" x D57.5" x H29"
FINISHES	Red Seats/white corian
UPHOLSTERY	N/A
LOCATION	OUTDOOR Patio
QUANTITY	2

ADD ALTERNATE 1A

Alberta Technology Center

Furniture Specifications



ITEM NUMBER	ADD-ALT 1A
ITEM NAME	"A"
MANUFACTURER	Six Inch
MODEL NUMBER	
DESCRIPTION	<ul style="list-style-type: none"> • High Quality Polyurethane Foam • 3-6 layers of PU Coat SOFTFLEX • UV stable • 20 Standard Colors available • High Traffic Outdoor
DIMENSIONS	W58" x D55" x H15"
FINISHES	Red Foam
UPHOLSTERY	N/A
LOCATION	OUTDOOR
QUANTITY	1

ADD ALTERNATE 1B

Alberta Technology Center

Furniture Specifications



ITEM NUMBER	ADD-ALT 1B
ITEM NAME	Carousel
MANUFACTURER	Landscape Forms
MODEL NUMBER	
DESCRIPTION	<ul style="list-style-type: none"> • Metal grid seats stays cool in the sun; dry quickly after rain • 4 seat style • Durable support formed of 2in. o.d., .120in. wall thickness tubing • Surface mount or freestanding with glides • Metal grid or perforated metal seats; backed • Optional umbrella hole • Built-in umbrella holder
DIMENSIONS	42" D x 29" H
FINISHES	Pangard II® polyester powder coat—Black
UPHOLSTERY	N/A
LOCATION	OUTDOOR Patio
QUANTITY	2

ADD ALTERNATE 1C

Alberta Technology Center

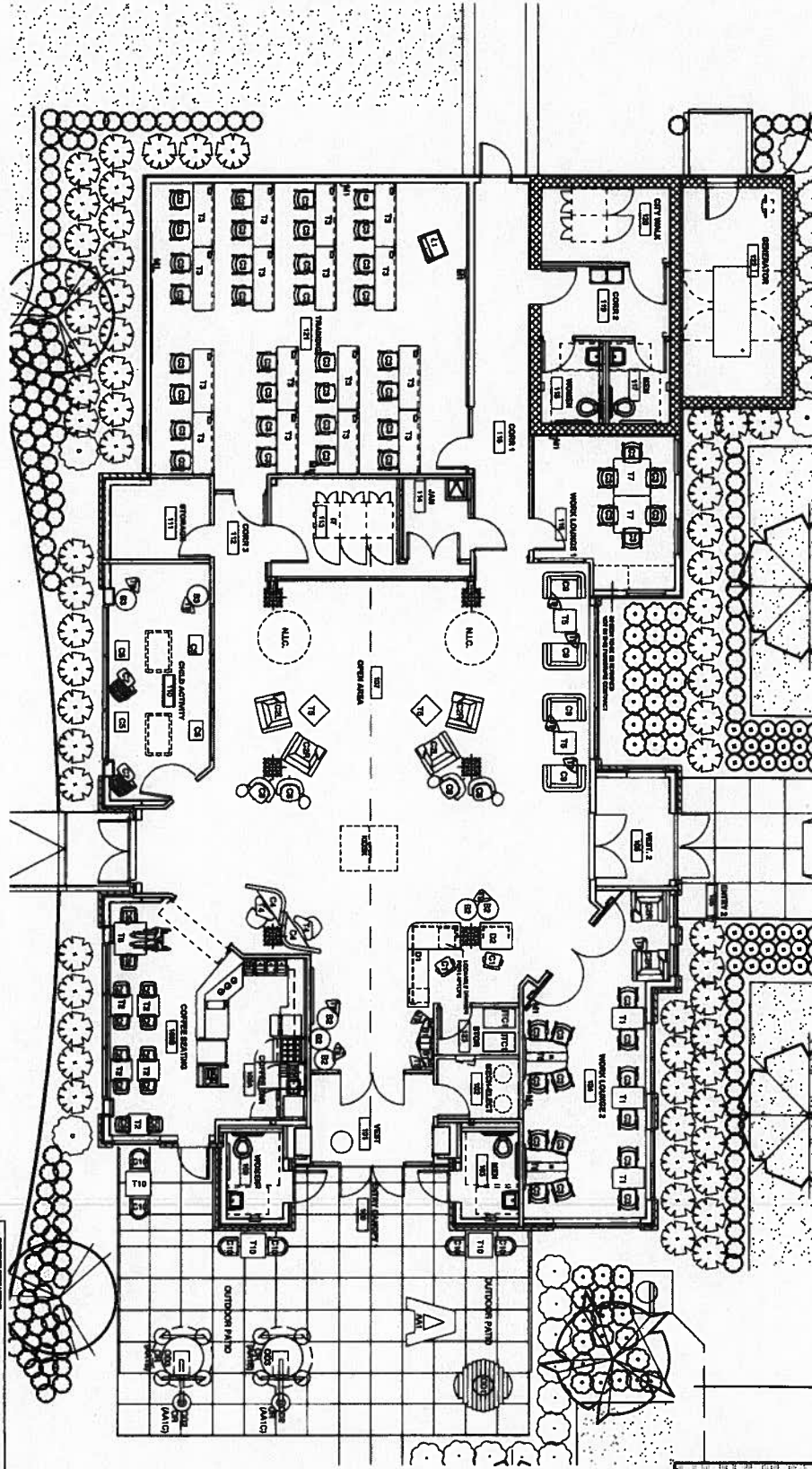
Furniture Specifications



ITEM NUMBER	ADD-ALT 1C
ITEM NAME	Solstice Shade and Stand
MANUFACTURER	Landscape Forms
MODEL NUMBER	
DESCRIPTION	<ul style="list-style-type: none"> • No fabric to deteriorate in harsh sun or high wind • Fixed shade panels; no raising and lowering required • Designed to be left up year 'round; may be disassembled for storage • Solid or perforated aluminum shade panels; mounted in extruded aluminum frame • Mounting: Must be anchored to Landscape Forms' surface mounted or embedded table style or in Landscape Forms' surface mounted stand • Pole must be mounted to table or surface mount stand; hardware supplied
DIMENSIONS	91"H x 87"D
FINISHES	Pangard II® powdercoat —Black
UPHOLSTERY	N/A
LOCATION	OUTDOOR Patio
QUANTITY	2

Attachment No. 2 - Furniture Plan

Copyright Ward Scott Architecture, Inc. All Rights Reserved



1 FURNITURE PLAN FOR CONSULTATION ONLY

NO.	DESCRIPTION	DATE
1	REVISION	
2	REVISION	
3	REVISION	
4	REVISION	
5	REVISION	
6	REVISION	
7	REVISION	
8	REVISION	
9	REVISION	
10	REVISION	
11	REVISION	
12	REVISION	
13	REVISION	
14	REVISION	
15	REVISION	
16	REVISION	
17	REVISION	
18	REVISION	
19	REVISION	
20	REVISION	
21	REVISION	
22	REVISION	
23	REVISION	
24	REVISION	
25	REVISION	
26	REVISION	
27	REVISION	
28	REVISION	
29	REVISION	
30	REVISION	
31	REVISION	
32	REVISION	
33	REVISION	
34	REVISION	
35	REVISION	
36	REVISION	
37	REVISION	
38	REVISION	
39	REVISION	
40	REVISION	
41	REVISION	
42	REVISION	
43	REVISION	
44	REVISION	
45	REVISION	
46	REVISION	
47	REVISION	
48	REVISION	
49	REVISION	
50	REVISION	

A901

NO.	DESCRIPTION	DATE
1	REVISION	
2	REVISION	
3	REVISION	
4	REVISION	
5	REVISION	
6	REVISION	
7	REVISION	
8	REVISION	
9	REVISION	
10	REVISION	
11	REVISION	
12	REVISION	
13	REVISION	
14	REVISION	
15	REVISION	
16	REVISION	
17	REVISION	
18	REVISION	
19	REVISION	
20	REVISION	
21	REVISION	
22	REVISION	
23	REVISION	
24	REVISION	
25	REVISION	
26	REVISION	
27	REVISION	
28	REVISION	
29	REVISION	
30	REVISION	
31	REVISION	
32	REVISION	
33	REVISION	
34	REVISION	
35	REVISION	
36	REVISION	
37	REVISION	
38	REVISION	
39	REVISION	
40	REVISION	
41	REVISION	
42	REVISION	
43	REVISION	
44	REVISION	
45	REVISION	
46	REVISION	
47	REVISION	
48	REVISION	
49	REVISION	
50	REVISION	

ALBERTA TECHNOLOGY CENTER
2614 UNIVERSITY BLVD EAST
TUSCALOOSA, ALABAMA 35404

Deborah Roy Design, LLC
3418 Crestview Trace Northport, AL 35473
p: 205 339 2510 c: 205 361 3611
droy@deborahroydesign.com





City of Tuscaloosa

Purchasing Division
2201 University Blvd
Tuscaloosa, AL 35401
Phone: (205) 248-5170

BID ADDENDUM NO. 1 NOVEMBER 24, 2015

BID NUMBER 8027-120215-1 MISCELLANEOUS FURNITURE FOR ALBERTA TECHNOLOGY CENTER

Change #1:

Due to the specification changes to follow in this document, the deadline for accepting bids and the bid opening time have been changed. The new date and time shall be as follows:

Wednesday, December 9, 2015 at 2:00 PM

Change #2:

Changes to Specifications are attached as part of this addendum (6 pages).

Note: Please sign and date this page, and include it with your bid submission as an acknowledgment that your pricing includes all add, deletions, or changes made in this Addendum No. 1.

If you have any questions, please contact me at (205) 248-5186 or

dcoggins@tuscaloosa.com

Thank you,

**David Coggins
Purchasing Agent
City Of Tuscaloosa**

**ALBERTA TECHNOLOGY CENTER FURNITURE
ADDENDUM NO. 1 SPECIFICATION CHANGES**

A. B2 – Allermuir - Pebble

1. Momentum: Silica/Marigold shall be changed to Momentum: Silica Leather/Marigold.
2. Remove model #A622. Bidder shall obtain price for the following:
 - i. A620 – QTY 2 ; Momentum: Silica Leather/Marigold
 - ii. A621 – QTY 3 ; 2 in Momentum: Tetra/Lacquer; 1 in Momentum: Tetra/Verdant

B. C1 – Senator – Freeflex

1. Due to fabric testing for Back Fabric (currently Sina Pearson Tutti Frutti); Bidder shall bid fabric at \$56 to be comparable to currently selected fabric by SAME Manufacturer; Fabric will be selected and or verified prior to ordering.

C. C4 – Alermuir – Vee

1. Due to fabric testing for frame & base of ottoman (currently Momentum Silica Leather-Shadow); Bidder shall bid fabric at \$65 to be comparable to currently selected fabric by SAME Manufacturer; Fabric will be selected and or verified prior to ordering.
2. Due to fabric testing for the Back Fabric (currently Sina Pearson Tutti Frutti); Bidder shall bid fabric at \$56 to be comparable to currently selected fabric by SAME Manufacturer; Fabric will be selected and or verified prior to ordering.
3. Due to fabric testing for the seat cushion & top of ottoman (currently Momentum Tetra: Lacquer); Bidder shall bid fabric at \$29 to be comparable to currently selected fabric by SAME Manufacturer; Fabric will be selected and or verified prior to ordering.

D. C6 –Leland-Crepe Counter Height Chair/Stool

1. Model Number to read CEC-AH (Ash Shell)
2. Finish: RD-Red Opaque Finish on Ash ; ST-Sterling Frame

E. C6A- Leland-Crepe Chair

1. Model Number to read CEC-AH (Ash Shell)
2. Finish: RD Red Opaque Finish on Ash; ST-Sterling Frame

F. C8 – Senator – Shoes

1. Due to fabric testing for Inside Back (currently Momentum, Kindred Macaw); Bidder shall bid \$65 to be comparable to currently selected fabric by SAME Manufacturer; Fabric will be selected and or verified prior to ordering.

G. C9 – Allermuir – Haven

1. Fabric for Top shall be Momentum: Carlo/Western in lieu of ArcCom # Butterscotch

H. D1/ D2 Combination – Logiflex Reception Desk-Project #12776

1. Omit the original spec sheet provided for D1/D2 with the bid documents.
2. Refer to the new spec sheet for D1/D2 this addendum
3. See new drawings pages 3 and 4 of this addendum
4. Fill out form below and provide with bid for Logiflex Item.
5. Reference attached drawing for Corian Countertop estimation.

D1/D2	Reception Desk	\$
	Worksurface/Transaction Shelf Supplied by Local Dealer	\$
	Total for Logiflex Desk	\$

Note: Total for Logiflex Desk and Local Corian Supplier will be inserted into line item on Bid Document for respective item.

Alberta Technology Center

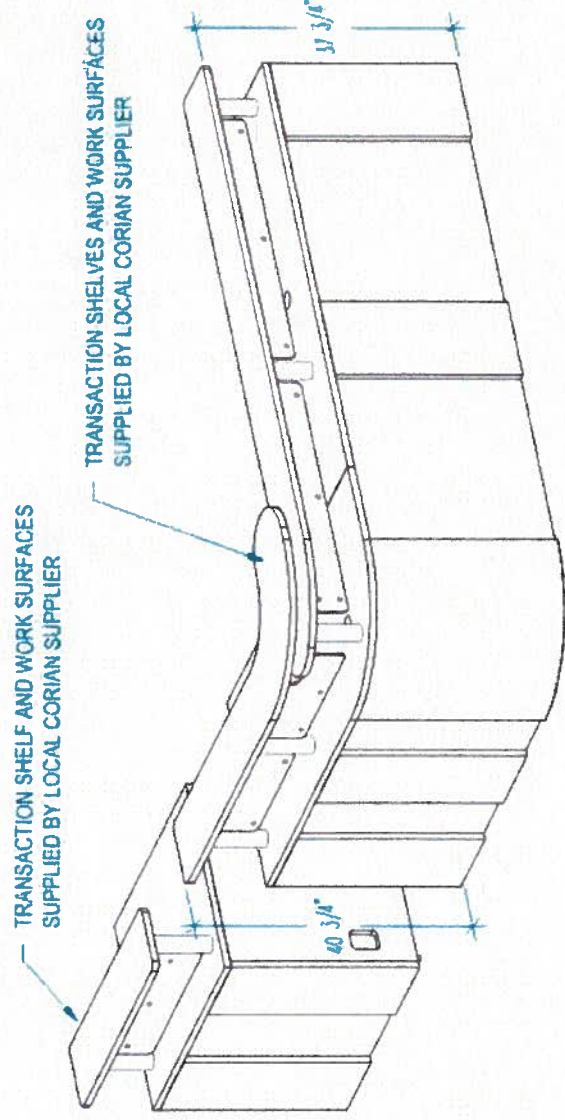
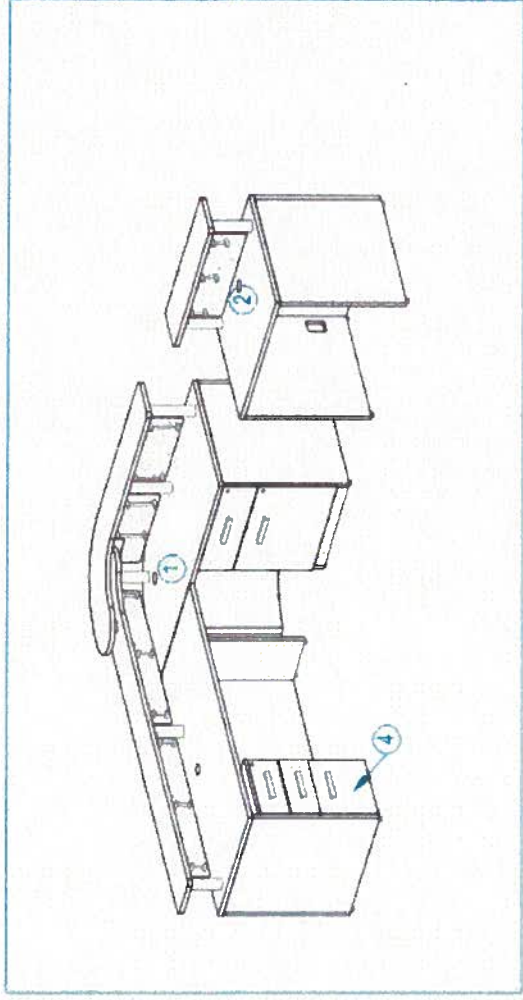
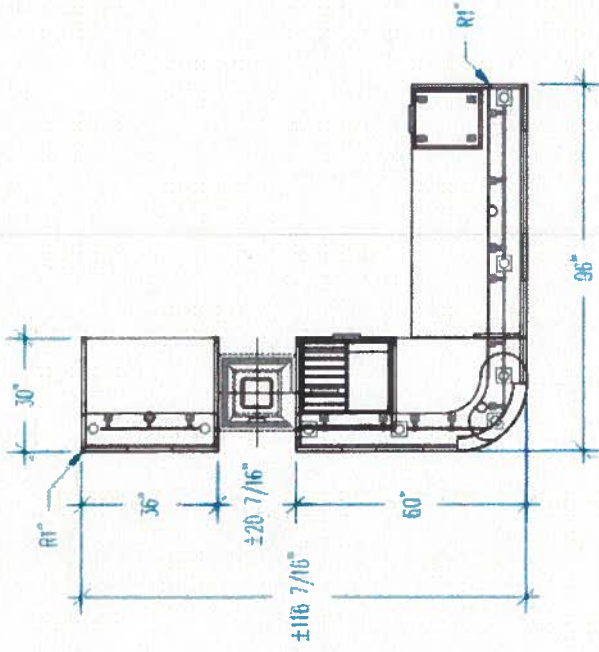
Furniture Specifications



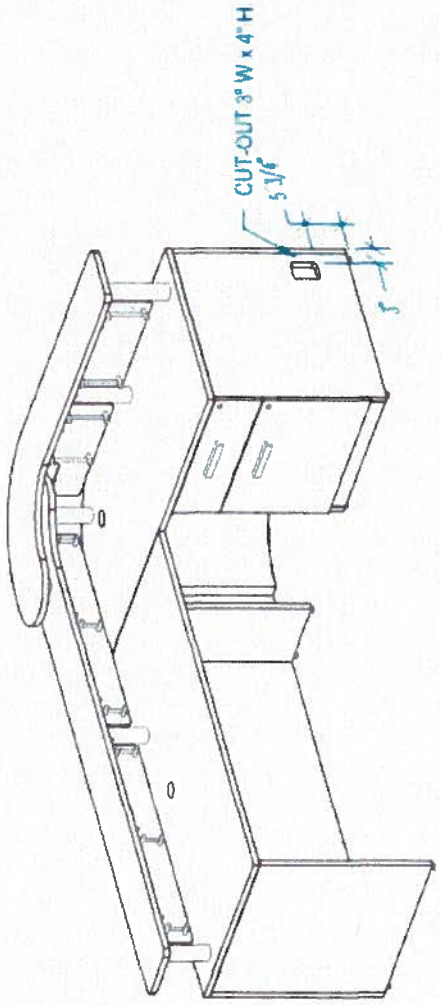
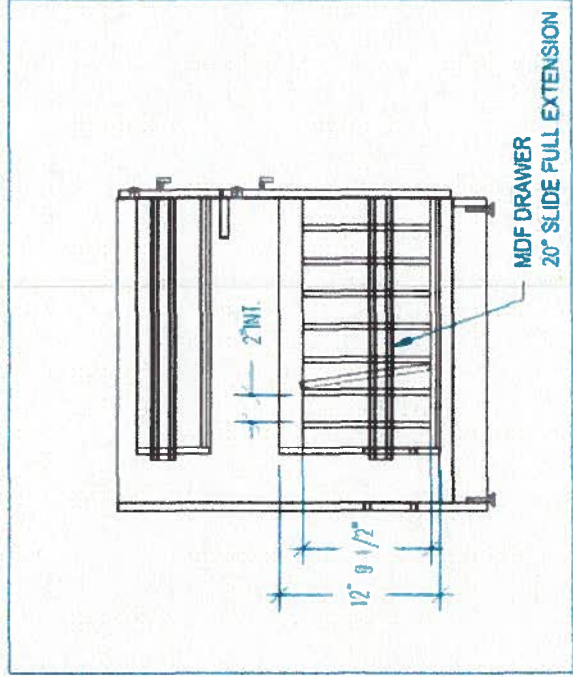
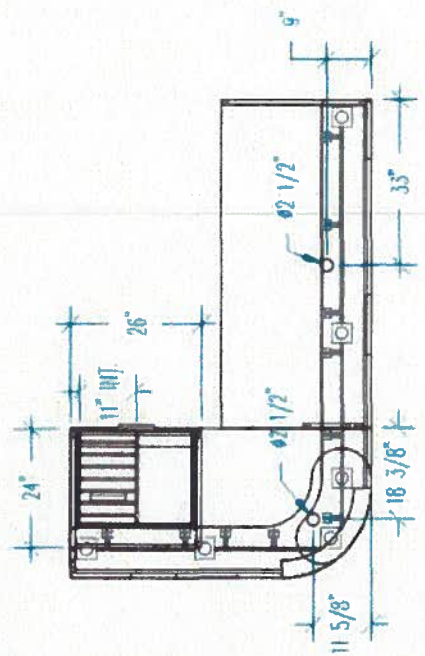
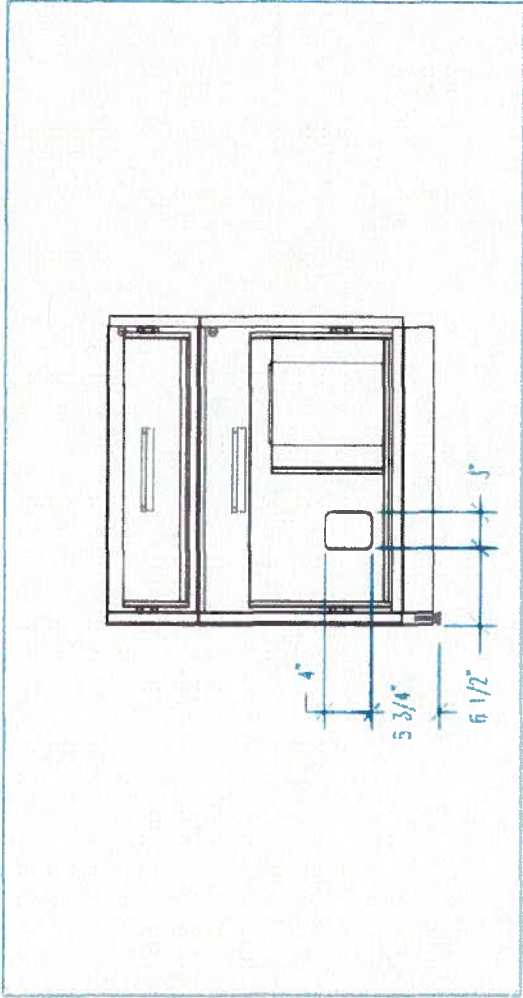
Laminate Casework

Corian Tops

ITEM NUMBER	D1/ D2 Combination
ITEM NAME	Reception Desk
MANUFACTURER	Logiflex, Contact: Nathalie Todd
MODEL NUMBER	REFER TO LOGIFLEX PROJECT 12776
DESCRIPTION	<p>CUSTOM RECEPTION/IT WORK DESKS</p> <p>D1: UPPER AND LOWER CORIAN WORK SURFACES WITH DECORATIVE FROSTED ACRYLIC SCREEN BETWEEN SURFACES, LAMINATED CABINET CHASSIS WITH BOX BOX FILE AND A SPECIAL 2DRAWER I-Pad STORAGE LOCKABLE DRAWERS.</p> <p>D2: Upper and Lower Work surface with side panel leg supports with 4 x 6 grommet opening in panel leg support next to column.</p> <p>SEE ATTACHED DRAWINGS PGS 4,5 & 6</p>
DIMENSIONS	OVERALL 116-7/16" X 96"
FINISHES	Laminate Lower Cabinet-Logiflex Std Polar White; Upper Countertops and Work Surface to be Corian-Cameo White, Frosted Acrylic screen to be Logiflex Standard
UPHOLSTERY	N/A
LOCATION	Open Area 107
QUANTITY	1

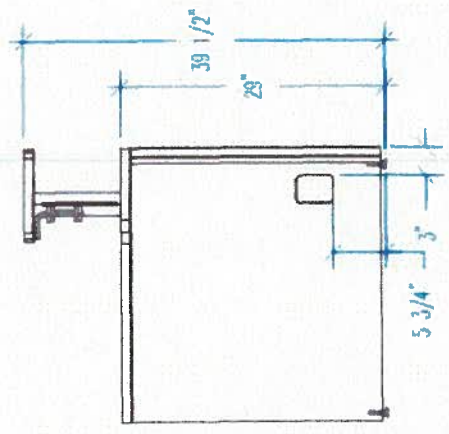
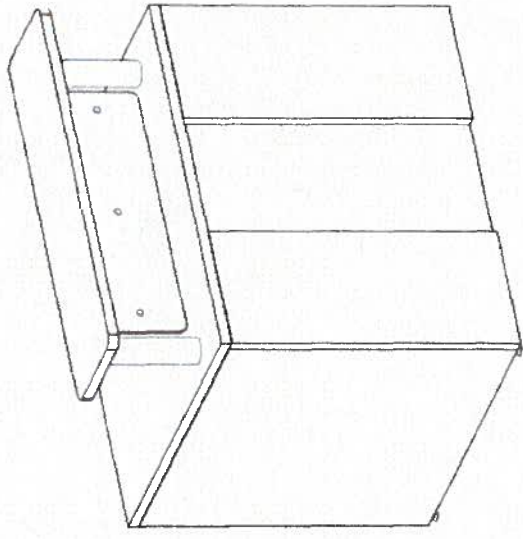
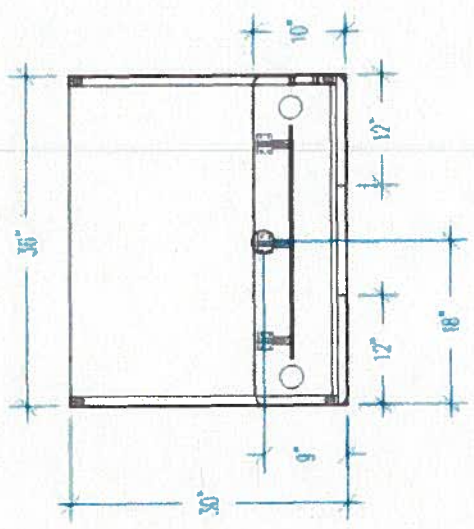
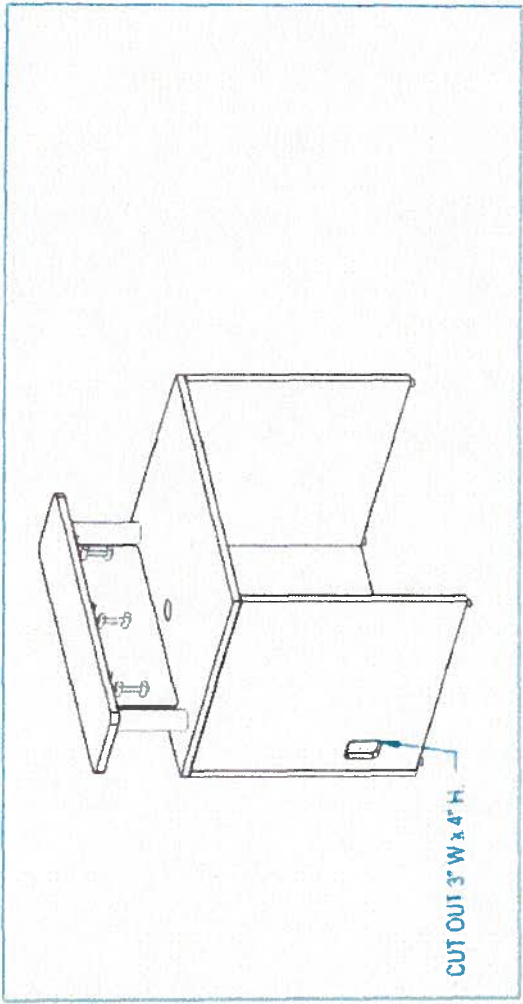


- NOTES:
- 1. RE 9550MAN\GRC (SPEC) (DETAIL P2)
 - 2. RE SPECMAN (DETAIL P3)
 - 4. RE 10MOBE



6 of 7

NOTES: DETAIL ITEM 1 / P1



NOTES: DETAIL ITEM 2 / P1