
ADDENDUM NO. 2

Date: April 23, 2015

Project Name: Alberta Revitalization Infrastructure Project Phase 1B
for the City of Tuscaloosa

City Project Number: A12-1324
WA Project Number: 12-100

This addendum to original drawings and specifications dated March 30, 2015 and any previous addenda for the above referenced project supersedes all contrary and conflicting information contained in said drawings, specifications and addenda. Said drawings, specifications and addenda are hereby amended in the following particulars that are in full force as part of this contract.

Bidders shall acknowledge receipt of this addendum on their bid.

ITEM NO. 1 – CONTRACTOR QUESTIONS:

1. Are the truncated dome pavers for the project required to be clay or concrete? The City has approved the pavers to be either brick clay pavers or concrete pavers of the type specified in the details or an approved equal.
2. The permeable concrete paver detail notes Belgard pavers or approved equal. Can you please clarify the particular type/style Belgard paver required for the project? Concrete Pavers shall be as manufactured by Belgard, Aqua-Bric style pavers, or an approved equal. It is critical that the brick dimensions, specifically thickness and drainage area provided between pavers, be equal to ensure durability and drainage ability.
3. Is the AquaPave permeable paver as manufactured by Red River Hardscapes approved as an alternate to the permeable paver noted in the plans? Yes, the submitted AquaPave paver may be used as an alternative permeable concrete paver.
4. The bid schedule list a quantity of 1,500 c.y. of Removal/Disposal/Replacement of Unsuitable Material but the Geotechnical Report references a total undercut quantity of 5,500 c.y. Please clarify. The total quantity reflected in the geotechnical report is for all phases of the project, not just 1B. The quantity for undercut should be as shown on the bid proposal form for Phase 1B.
5. Does the trench backfill detail for paved surfaces on C11.8 that shows stone backfill apply to the utilities under the permeable paver portions of the project? Or is this detail only required for utilities under asphalt and concrete paving. Select stone backfill of utility trenches shall be required in any area where proposed utilities (storm, sanitary, water, conduit, etc.) crosses an existing asphalt or concrete paved area. In areas outside of existing paved areas but under proposed pavement (concrete, asphalt, pavers), the Contractor may use standard backfill (this includes suitable on-site native material or approved borrow material) compacted in the required lifts to 98% compaction as indicated in the plans. If the Contractor elects, select stone backfill

mechanical consolidated could be used, in lieu of, standard backfill in these areas but would be done at no additional cost to the project.

6. Drawing E1.1, General Notes #1, reads that light poles and fixtures....and all associated appurtenances are supplied by the City. Based on previous similar City projects there are several items shown on the detail that did NOT come with the poles when ordered and therefore are NOT supplied by the City. Can you please clarify the following items on these poles as being provided by the City or provided by the Contractor: GFI receptacles, Wireless Access Points, Cameras, Outlet Boxes for Cameras, IT/Comm Boxes and whether the boxes come with the GFI Receptacle as detailed.
 - *GFI Receptacles - Upper and Lower (All GFI Receptacles shall be provided and installed by the Contractor)*
 - *Dedicated Circuit and Receptacles for the IT-Cabinet Comm. Boxes & WAP Locations (Provided and installed by the Contractor)*
 - *Wireless Access Points (Provided and Installed under a separate contract)*
 - *Cameras (N.I.C. - Provided and Installed under a separate contract)*
 - *NEMA 4X- 5"x5"x3" Boxes for Cameras (N.I.C. - Provided and Installed under a separate contract)*
 - *NEMA 4X- 5"x5"x3" Boxes for Wireless Access Points (Provided and installed by the Contractor)*
 - *IT-Cabinet Comm. Boxes (Provided by the City, Contractor to install. The IT-Cabinets do not come with a receptacle in them. The circuit and the receptacle in the IT-Cabinet shall be provided and installed by the Contractor).*

7. Not every light pole will receive every item that is indicated on the pole details on drawing E1.1. Is there any way to quantify which poles receive which details. The reason this needs to be clarified is that the poles will be ordered to have openings on every pole for a device in every possible location. Knowing that not all of the poles will get a camera, IT Comm box, etc., there needs to be enough blank plates and bolts delivered from the pole manufacturer to blank off the openings that will not get used on certain poles. All poles will be ordered with the same openings, therefore, blank plates will be needed for each opening that does not receive any attached equipment. The Electrical Drawings in the construction documents indicate the poles that will have equipment installed such as IT-Cabinets, Cameras and WAP's. Also, a pole schedule has been provided as part of this Addendum to further clarify the pole type and whether they will include Cameras and WAP's.

8. Can we clarify the size of the MC cables that need to be installed inside the poles for power and wireless access? Also, if a particular pole does NOT receive a certain device, please advise if a MC Cable for that device will still be required. The MC Cable size can be 3/8", 1/2" and 3/4" as required for the electrical circuit connections. MC Cables will be used for all electrical circuits as indicated in the documents. If Seal Tight Conduit are used between the openings for technology connections (i.e. security cameras, wireless access points, and IT-Cabinet Box), the Seal Tight Conduit "MUST BE" attached to the low voltage NEMA 4X 5"x5"x3" Boxes in an appropriate manner.

9. Have the poles and arms already been ordered and received for this phase of the project? Poles and arms have been bid under a separate contract but have not been ordered at this time. Upon contract agreement with low bid contractor for this project, the City will coordinate with the Contractor on their project schedule for ordering and delivery of poles, arms, mounting hardware, etc.



10. Per Civil Drawings C8.1 through C8.4, are the coordination drawings for APCO, AT&T, and Comcast available for review prior to this project's bid? *The highlighted conduit plans from each private utility company can be downloaded via the link below. Some of these were provided as hand sketches and highlighted drawings only. These were used to complete the bid conduit plans provided in the plans. Each utility company was met with and the bid conduit plans reviewed and approved. The bid conduit plans also include the conduit runs for the future technology improvements and the required lighting system. This information is being provided for reference only, but will have no bearing on the final plans. The final plans are the bid documents.*

[Phase 1B Private Utility Company Info PDF](#)

11. Please clarify if and when expansion joint material is required for curb & gutter? *If curb and gutter is being hand formed, expansion joint material will be required on 50' intervals, at all radii points at concrete entrances and curb returns, at inlets, at end of work day locations, and/or all cold joints. Where curb and gutter is machined formed, expansion joint material is only required at end of work day locations and/or all cold joints.*

12. The irrigation controller specified for the project is a 12 Station Controller. There are 20 valves in the irrigation system. Should a 24 Station Controller be priced and the project controller specifications be revised? *The required irrigation controller for the project shall be revised to a Toro Sentinel Controller containing **48** stations. This is to accommodate the current phases of the project and also future phases.*

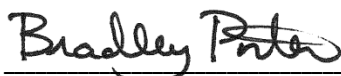
13. There are 2 different wage rate scales listed in the specs (AL-2 and AL-148). AL-2 lists the construction type as "highway" and AL-148 lists the construction type as "heavy". The wage rates are different between the two scales. For example, an electrician's wage rate for AL-2 "highway" is \$19.73 with no fringe benefits and the wage for an electrician under AL-148 "heavy" is \$23.50 with 13%+\$6.93 fringe benefits. Please clarify which wage scale applies. The Wage Rate Scale for "Heavy" AL-148 shall be disregarded for this project and only the "Highway" AL-2 shall be used for the project.

ITEM NO. 2 – ELECTRICAL PLAN SHEETS & LIGHT POLE SCHEDULE:

The following plans sheets have been revised to provide clarification to the above questions and shall replace the original plan sheets found in the contract documents in their entirety. Also, a light pole schedule has been added to clarify the pole types and whether the various poles include cameras and WAP's.

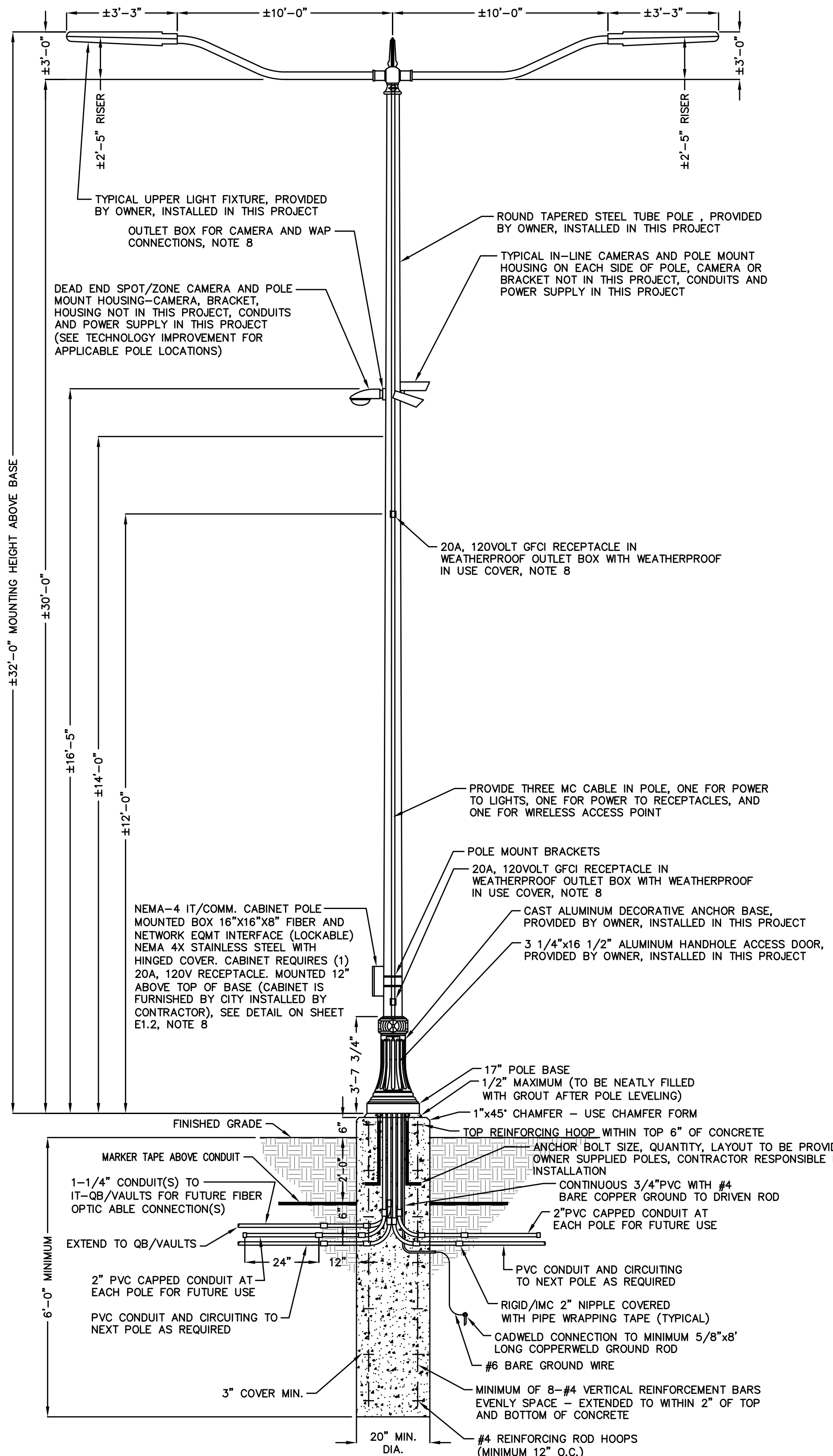
Sheets E1.1, E1.2, E1.3, E2.0, E2.1, & E2.2
Light Pole Schedule

END OF ADDENDUM NO. 2

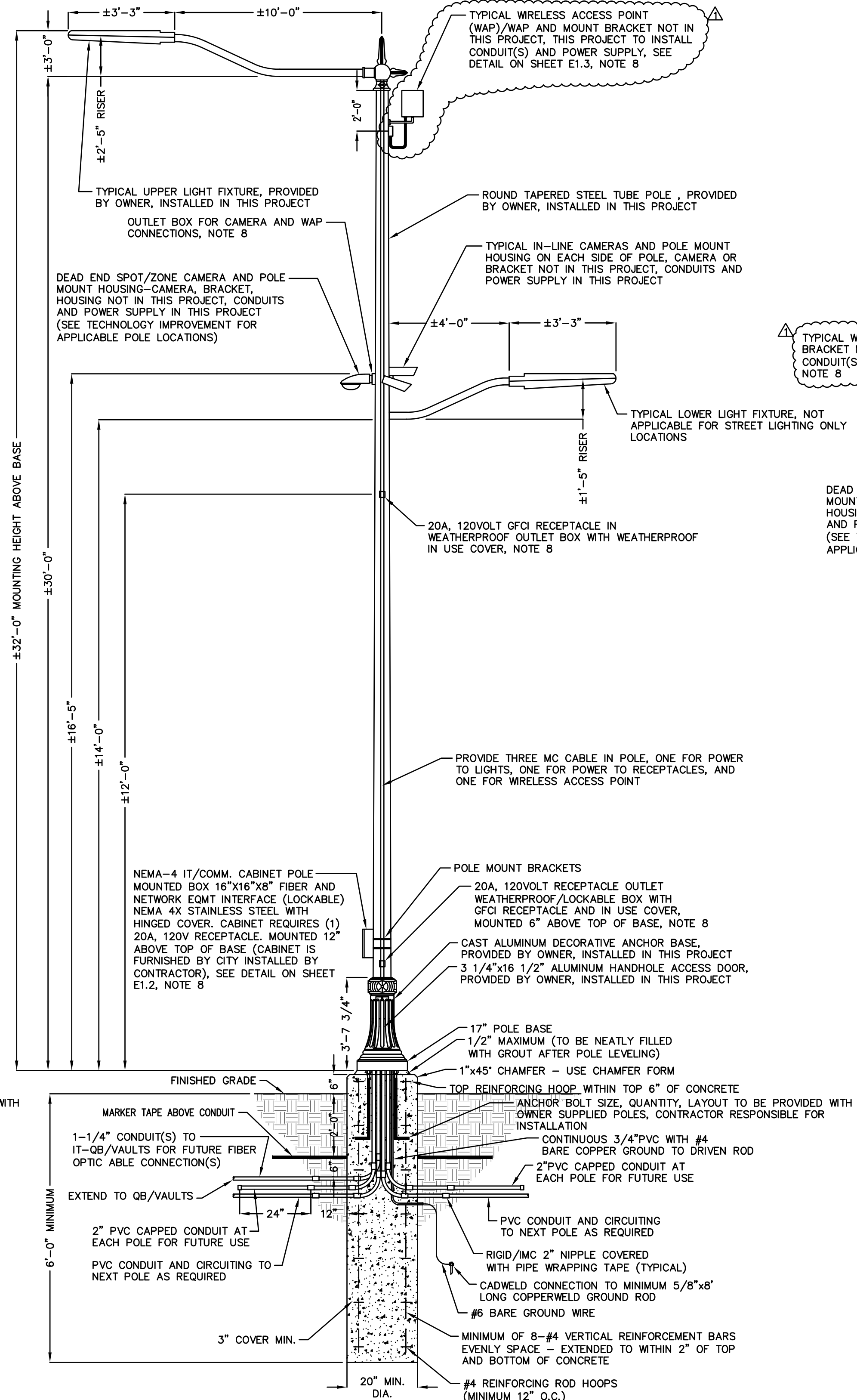


Michael Bradley Porter, P.E.
Alabama Registration No. 30442

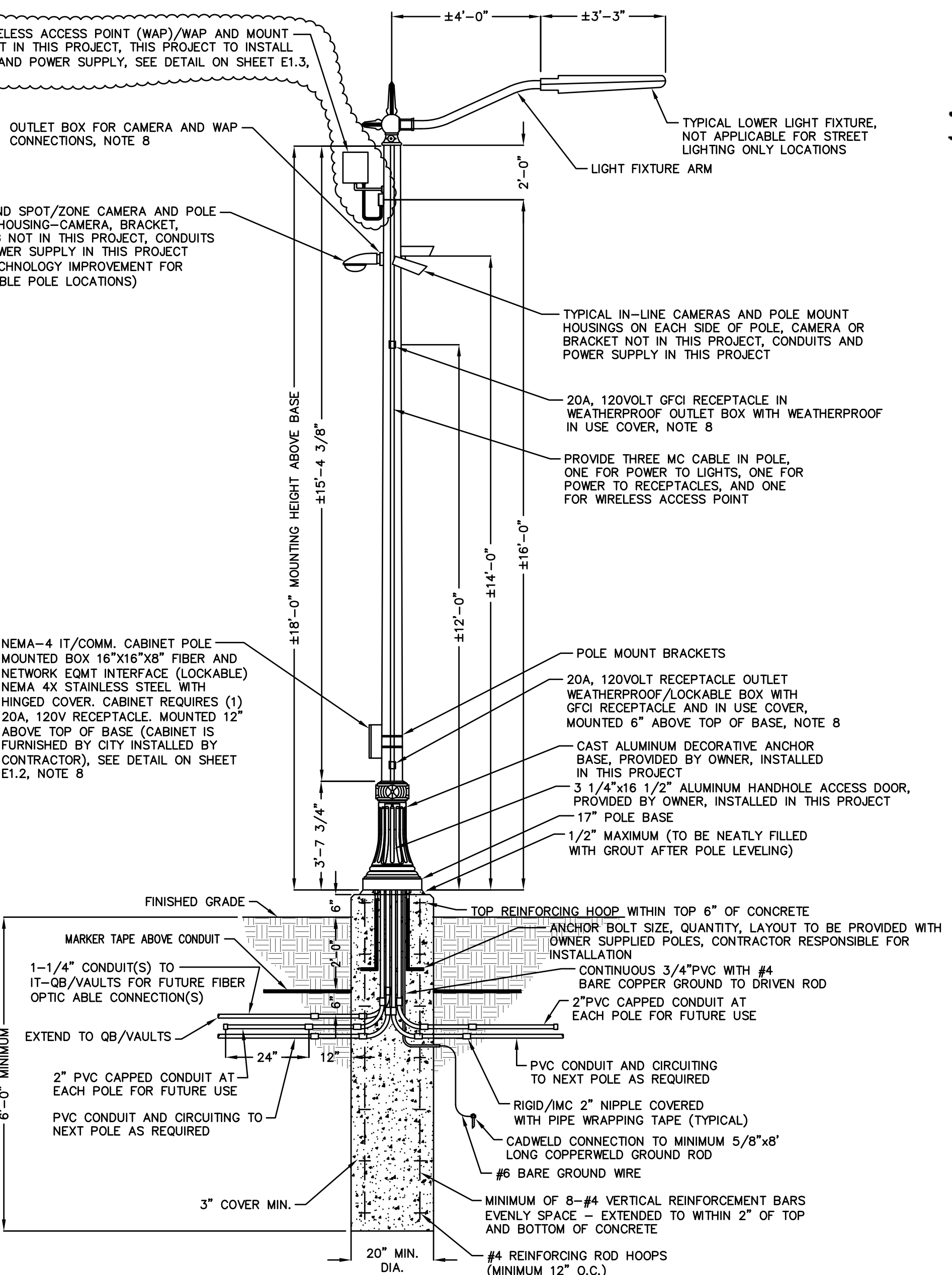




POLE DETAIL
TYPE "A" STREET LIGHT FIXTURE
 NOT TO SCALE



POLE DETAIL
TYPE "B" STREET/PEDESTRIAN LIGHT FIXTURE
 NOT TO SCALE

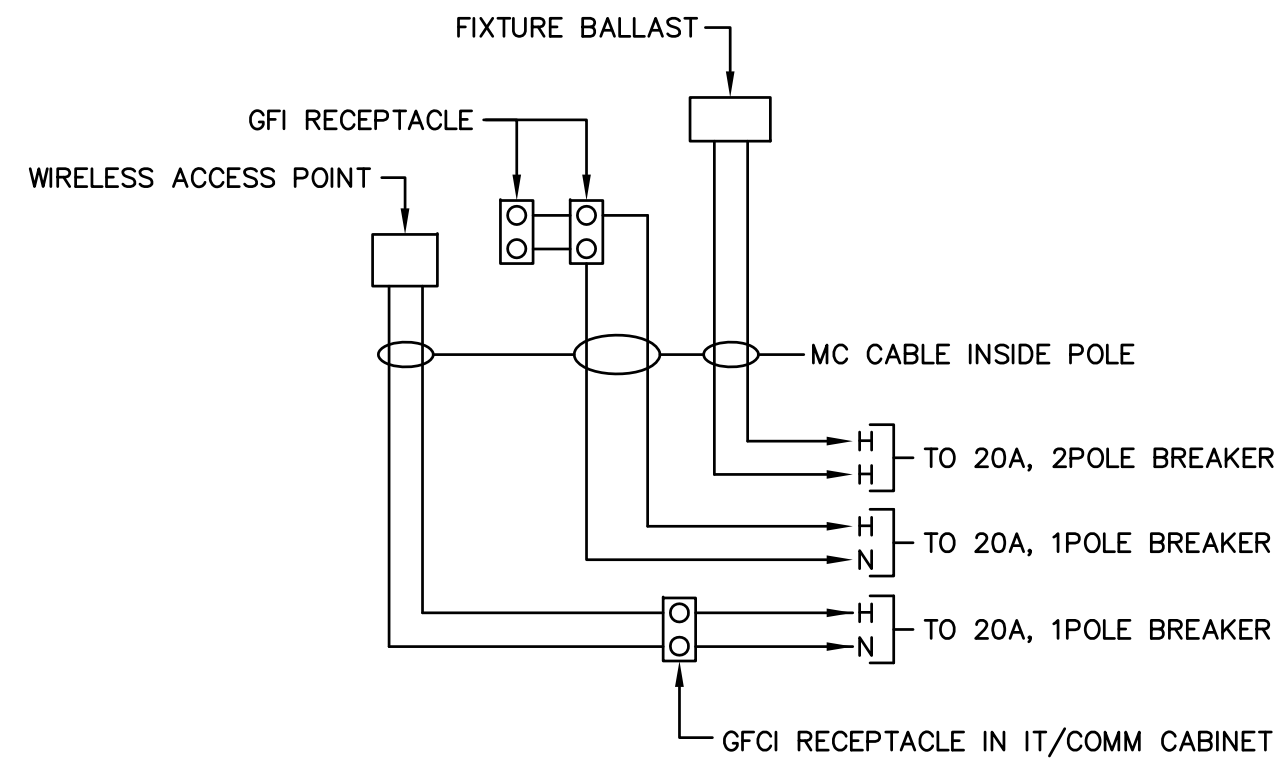


POLE DETAIL
TYPE "C" PEDESTRIAN LIGHT FIXTURE
 NOT TO SCALE

- GENERAL NOTES:**
1. LIGHT POLES, LIGHT FIXTURES, LIGHT FIXTURE ARMS, ARM CASTINGS, DECORATIVE POLE BASE COVER, ANCHOR BOLTS, AND ALL ASSOCIATED APPURTENANCES ARE SUPPLIED BY THE CITY. DETAILS AND DIAGRAMS SHOWN ARE FOR REFERENCE ONLY AND SUBJECT TO CHANGE. ALL SHALL BE INSTALLED BY THE CONTRACTOR IN THIS PROJECT.
 2. IT SHALL BE THE CONTRACTOR'S RESPONSIBILITY OF COORDINATING THE INSTALLATION OF THE POLE BASE WITH ALL OTHER UNDERGROUND UTILITIES, INCLUDING BUT NOT LIMITED TO, ELECTRICAL DUCT BANKS, CONDUITS FOR SITE LIGHTING, IRRIGATION, WATER MAINS, ETC. CONTRACTOR SHALL BE RESPONSIBLE FOR ENSURING SUCH UNDERGROUND UTILITIES ARE INSTALLED IN SUCH A MANNER TO NOT INTERFERE WITH POLE BASE INSTALLATION OR LOCATIONS. ANY NECESSARY MODIFICATIONS TO POLE BASES OR UNDERGROUND UTILITIES INSTALLED BY THE CONTRACTOR SHALL BE AT THE COSTS OF THE CONTRACTOR.
 3. MINIMUM CONCRETE COMPRESSIVE STRENGTH = 3000 PSI AT 28 DAYS.
 4. POLE BASE TO BE CAST AGAINST UNDISTURBED EARTHEN MATERIAL.
 5. REINFORCING STEEL TO MEET ASTM A615 GRADE 60 REQUIREMENTS.
 6. INSTALLATION OF FOUNDATIONS BY OTHERS.
 7. DESIGN OF FOUNDATIONS TO BE PREPARED BY REGISTERED ENGINEER AS A PART OF EACH CITY WALK PROJECT.
 8. EACH POLE SHALL INCLUDE FOUR (4) OUTLET FRAMES INTEGRALLY WELDED INTO THE SHAFT TO ACCOMMODATE SECURITY CAMERAS, WIRELESS ACCESS POINT, AND TWO (2) SINGLE ELECTRICAL RECEPTACLES PLUS ALL HARDWARE COMPONENTS ARE SHOWN ON THE ASSOCIATED DRAWINGS. A WEATHERPROOF/GASKETTED COVER PAINTED TO MATCH POLE SHALL ALSO BE PROVIDED FOR EACH OPENING. IN ADDITION, SPECIFIC POLES IDENTIFIED ON PLANS INCLUDE AN ADDITIONAL OUTLET FRAME FOR IT/COMM CABINET.
 9. CONTRACTOR SHALL PROVIDE RESOURCES FOR TRANSPORTATION, STORAGE, AND SECURITY FOR LIGHT POLES, LIGHT FIXTURES, LIGHT FIXTURE ARMS, ARM CASTINGS, DECORATIVE POLE BASE COVER, ANCHOR BOLTS, AND ALL APPURTENANCES SUPPLIED BY THE CITY PER NOTE 1. FROM SOURCE BY CITY FOR INSTALLATION.



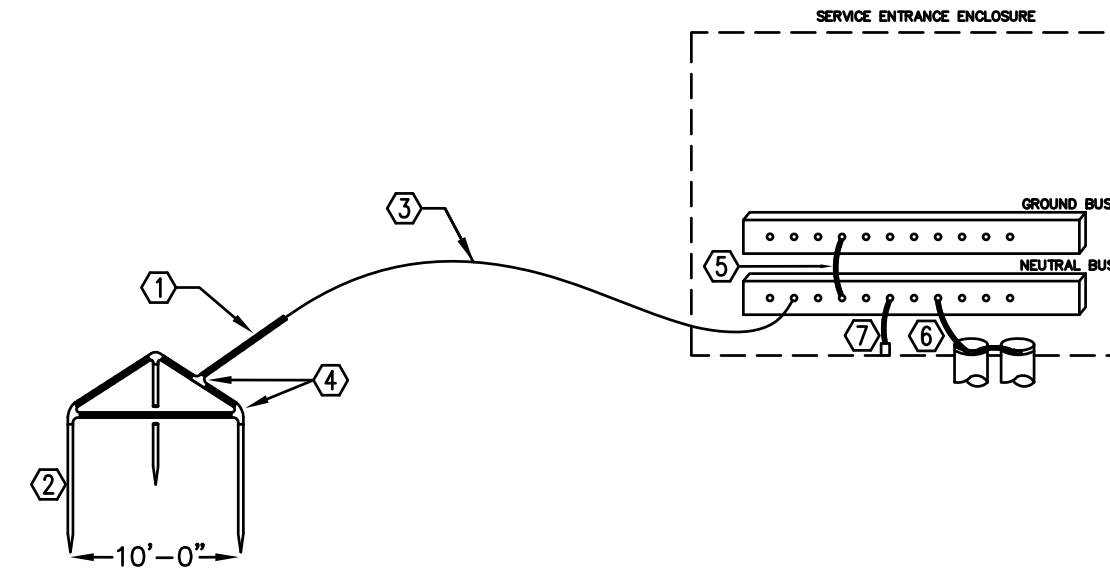
No.	Date	Description
1	4/23/15	Addendum No. 2
Drawn By:	AL	Checked By: JK
Date:	3/30/15	Job No.: 12-100
File Name:	14-08_E1.1.dwg	



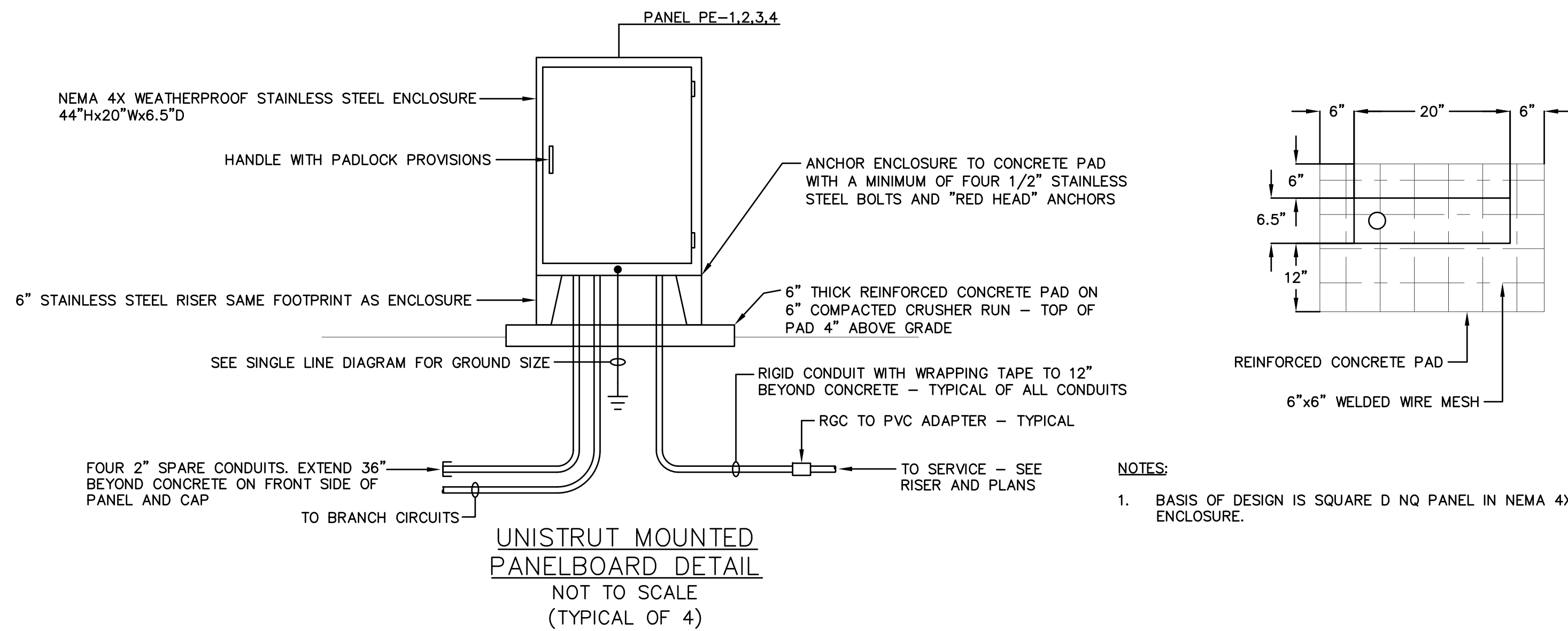
TYPICAL FIXTURE, RECEPTACLE,
WIRELESS ACCESS POINT WIRING DIAGRAM
NOT TO SCALE

GROUNDING SYSTEM DETAIL – KEY NOTES

- ① BARE GROUNDING ELECTRODE CONDUCTOR, SEE SINGLE LINE DIAGRAM FOR WIRE SIZE.
- ② 3/4"x10'-0" CLAD STEEL GROUND ROD, DRIVEN 24" BELOW GRADE, MINIMUM.
- ③ BARE GROUNDING ELECTRODE CONDUCTOR IN 2"PVC-40, SEE SINGLE LINE DIAGRAM FOR WIRE SIZE.
- ④ EXOTHERMIC WELD CONNECTOR:
TWO CABLES TO GROUND ROD, CADWELD #GT OR #GY
CABLE TO CABLE TEE, CADWELD #TA
ONE CABLE TO GROUND ROD, CADWELD #GR
- ⑤ BONDING JUMPER, SIZED BY EQUIPMENT MANUFACTURER PER NEC 250-66.
- ⑥ BONDING JUMPER TO GROUNDING BUSHING, AND BONDING JUMPERS FROM CONDUIT TO CONDUIT, ALL CONDUIT CONNECTED TO THE SERVICE ENTRANCE ENCLOSURE SHALL BE BONDED, SIZED PER NEC 250.
- ⑦ MAIN BONDING JUMPER, SIZED BY MANUFACTURER PER 250-66.



GROUNDING SYSTEM DETAIL
NOT TO SCALE



- NOTES:
1. BASIS OF DESIGN IS SQUARE D NQ PANEL IN NEMA 4X ENCLOSURE.

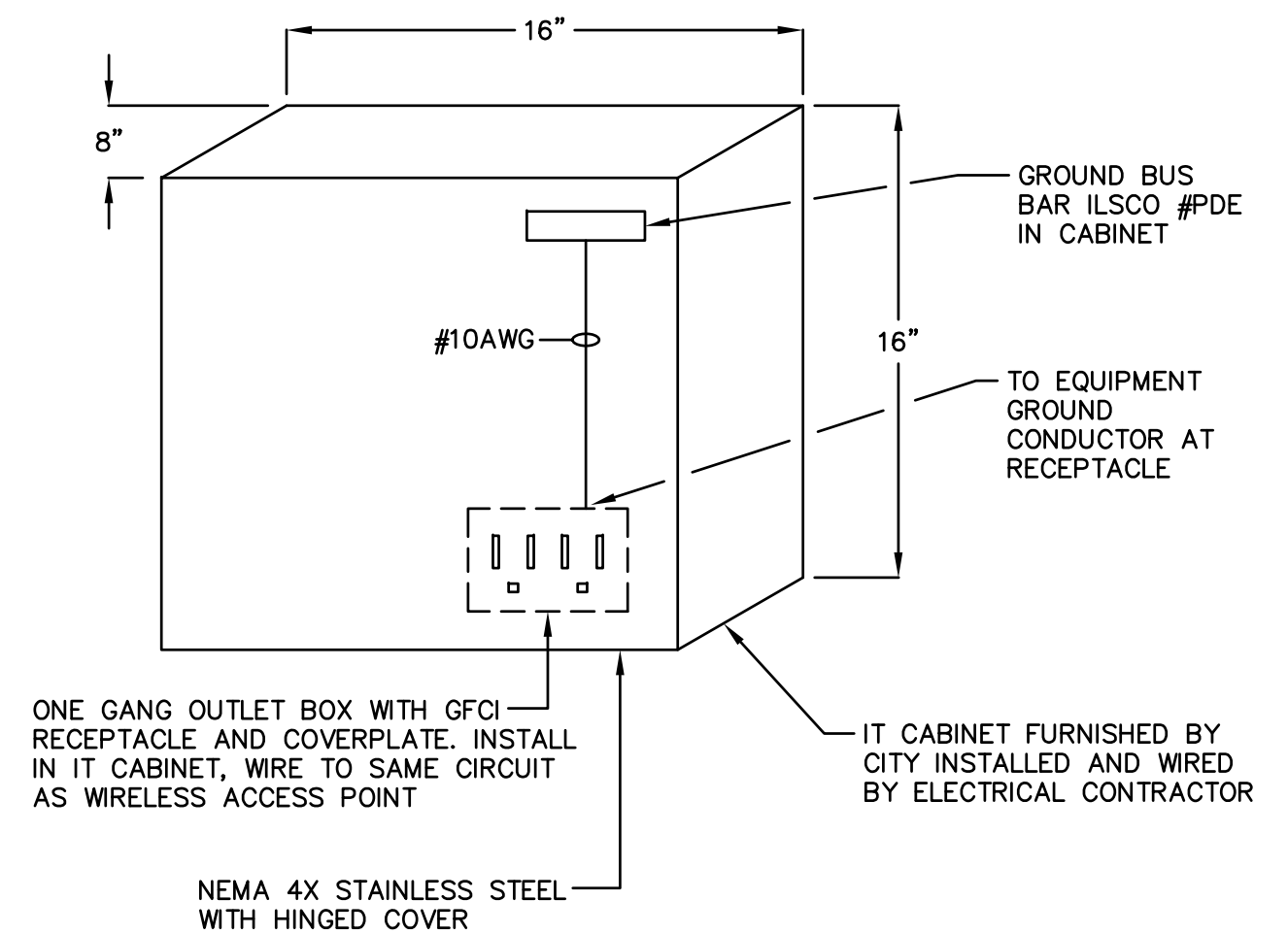
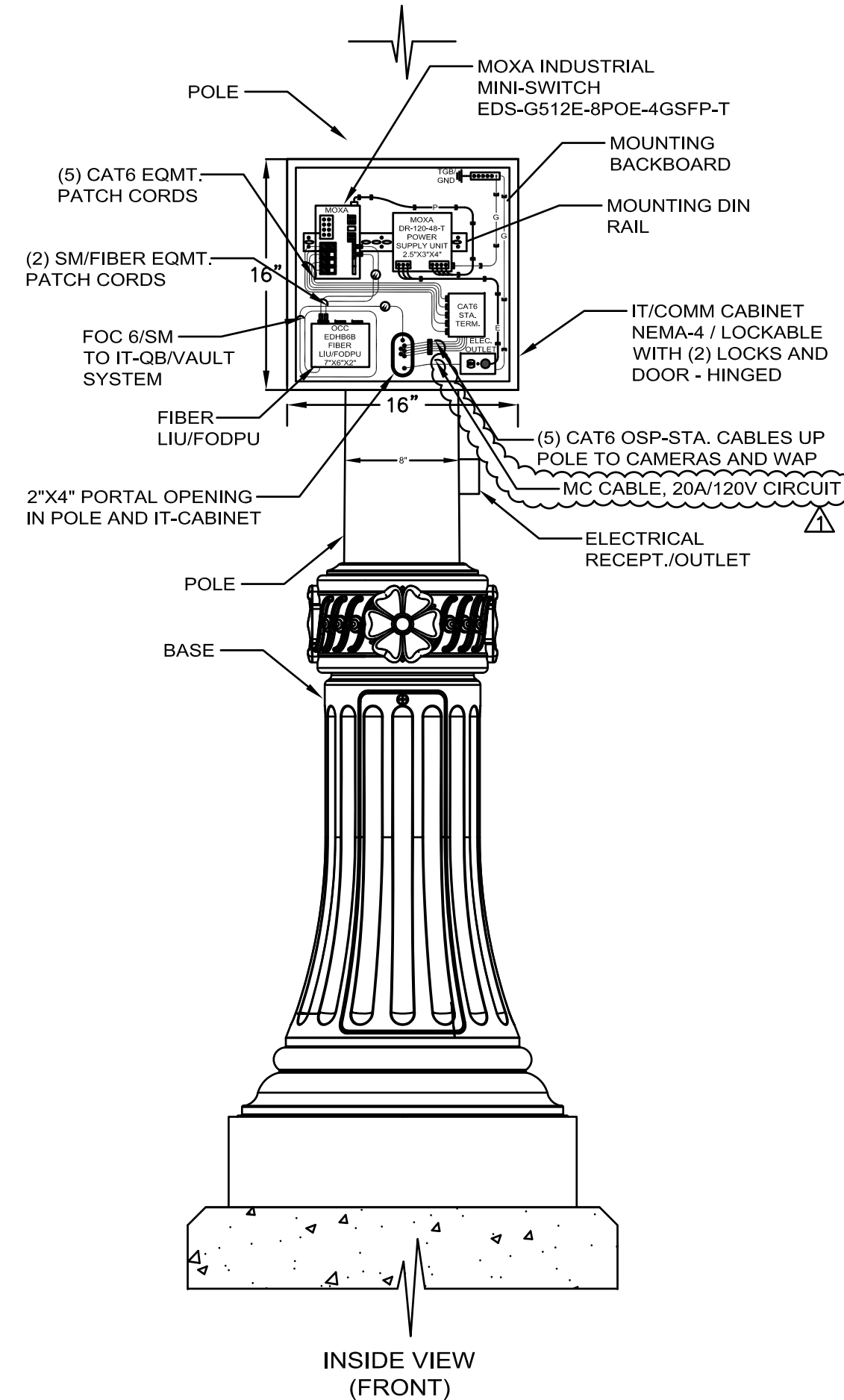
UNISTRUT MOUNTED
PANELBOARD DETAIL
NOT TO SCALE
(TYPICAL OF 4)

POLES WITH IT/COMM CABINET (VERIFY EXACT COUNT AND LOCATION WITH CITY)

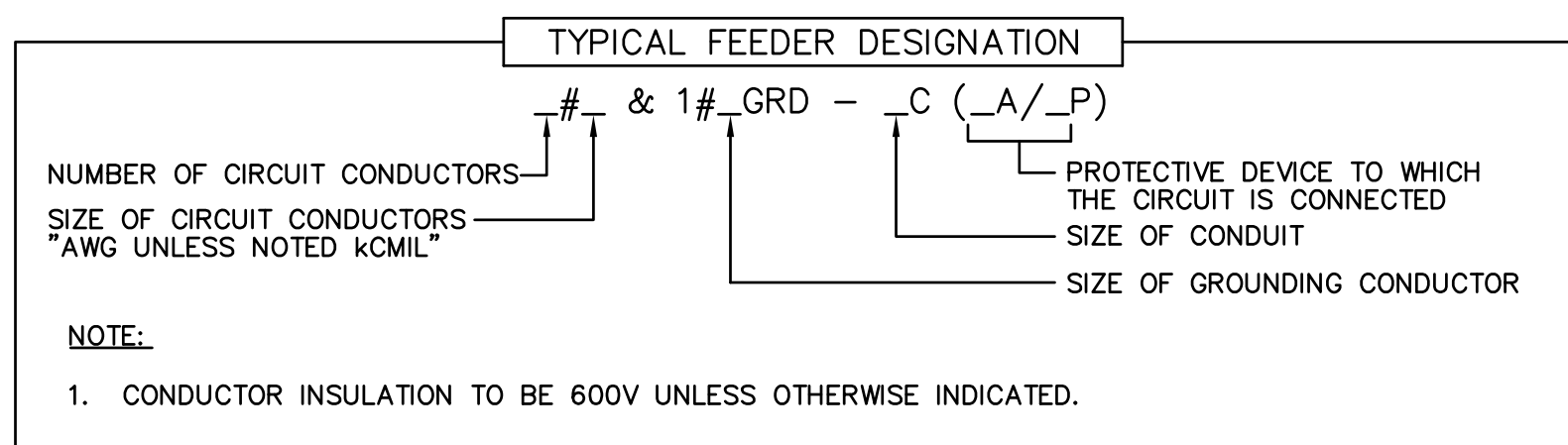
LPA2, LPA4, LPA6, LPC1, LPC3, LPD2, LPF1, LPF4, LPF7, LPF9, LPM2, LPM4, LPG4, LPG3, LPG2, LPG1

NOTES:

1. IT/COM CABINET IS PROVIDED FOR SPECIFIC POLES. VERIFY POLES WITH SITE PLAN.
2. RECEPTACLE, GROUND BUS, AND GROUND WIRING PROVIDED BY THIS CONTRACTOR IN CABINET.
3. CABINET PROVIDED BY CITY, INSTALLED BY THIS CONTRACTOR.



DETAIL
NEMA-4X IT/COMM CABINET
NOT TO SCALE



- NOTE:
1. CONDUCTOR INSULATION TO BE 600V UNLESS OTHERWISE INDICATED.

TYPICAL LUMINAIRE, DEVICE AND CIRCUIT DESIGNATIONS

- ⓐ(R)1 LUMINAIRE TYPE 'R', CIRCUIT NO. 1, CONTROLLED BY SWITCH "a"
- 2 ⓐ(A) b FLUORESCENT LUMINAIRE TYPE 'A', CIRCUIT NO. 2, CONTROLLED BY SWITCH "b"
- 2 ⓐ(W) WALL OUTLET WITH RECEPTACLE NOTED, CONNECT TO CIRCUIT NO. 2
- 1 ⓐ(E) EQUIPMENT CONNECTION – CONNECT TO CIRCUIT NO. 1

DETAIL
WIRING DESIGNATION
NOT TO SCALE

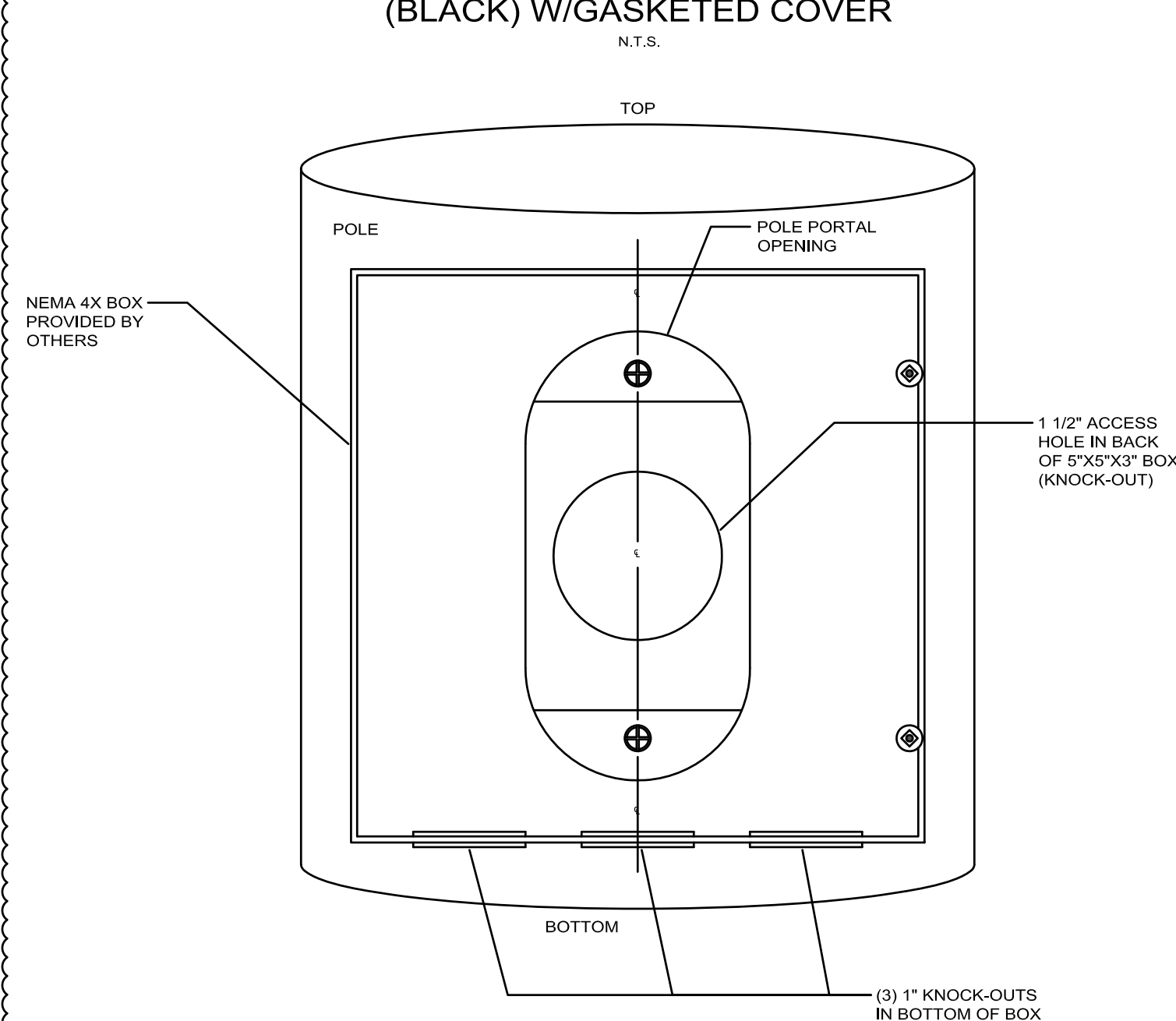


No.	Description	Date	Drawn By: AL	Checked By: JK
1	Addendum No. 2	4/23/15	Date: 3/30/15	Job No.: 12-100
			File Name: 14-08_E1.2.dwg	

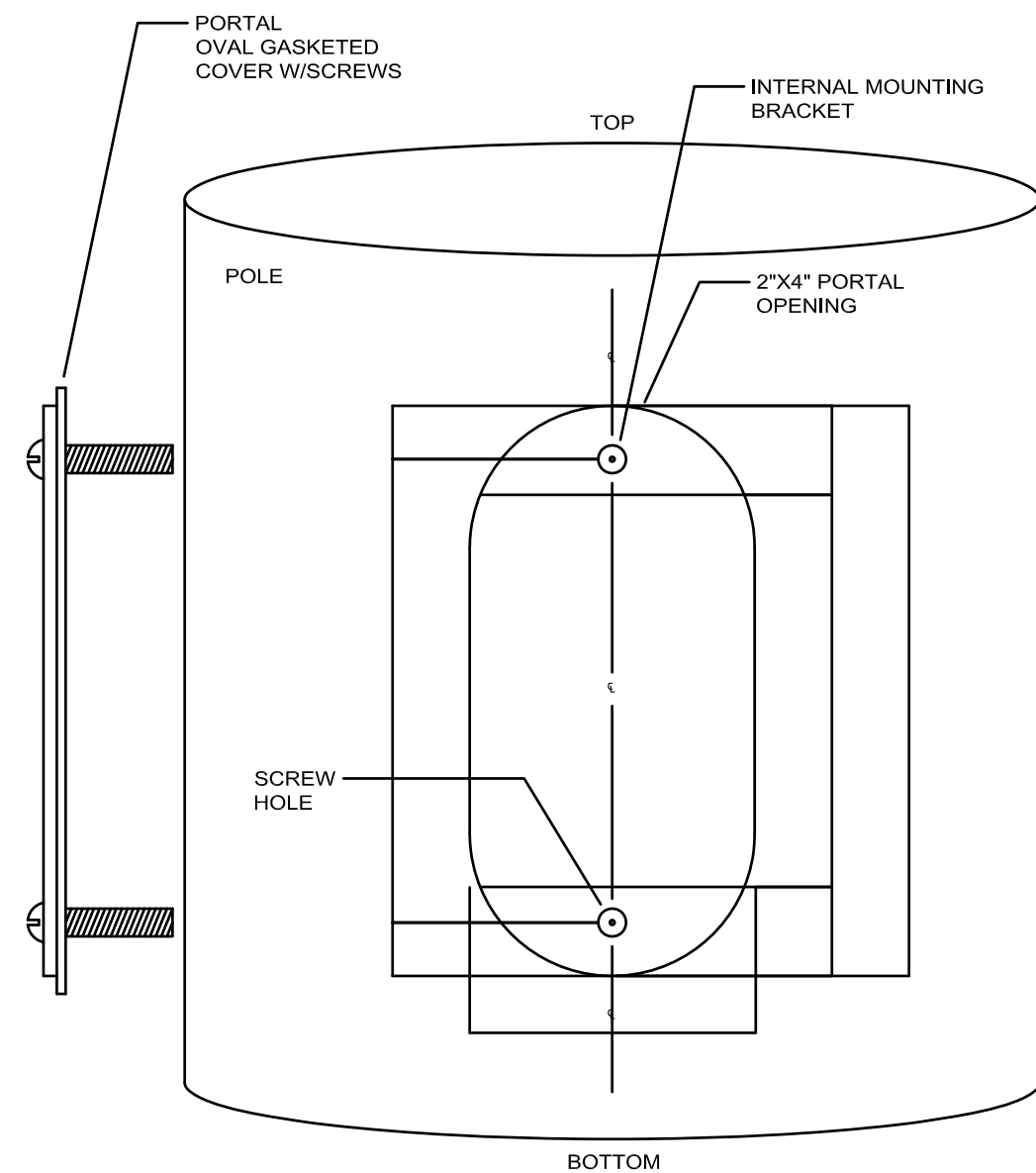
PANEL LOAD SUMMARY														
Panel: PE-1														
Equipment	LIGHT	RCPT	O/M	CB SIZE	CIRCUIT #	PHASE A	PHASE C	CIRCUIT #	CB SIZE	LIGHT	RCPT	O/M	Equipment	
POLE LIGHTS	490			20/2	1	1690		13	20/1		1200		POLE MOUNTED RECEPTACLE	
	490				2		2090	14	20/1		1600		POLE MOUNTED RECEPTACLE	
POLE LIGHTS	1500			20/2	3	1700		15	20/1			200	IRRIGATION CONTROLLER	
	1500				4		1500	16	20/1				SPARE	
POLE LIGHTS	280			20/2	5	280		17	20/1				SPARE	
	280				6		280	18	20/1				SPARE	
WIRELESS ACCESS POINT			560	20/1	7	560		19	20/1				SPARE	
WIRELESS ACCESS POINT			480	20/1	8		480	20	50/1				SPACE	
WIRELESS ACCESS POINT			320	20/1	9	320		21	50/1				SPACE	
POLE MOUNTED RECEPTACLE		1600		20/1	10		1600	22	50/1				SPACE	
POLE MOUNTED RECEPTACLE		1200		20/1	11	1200		23	50/1				SPACE	
POLE MOUNTED RECEPTACLE		1200		20/1	12		1200	24	50/1				SPACE	
Sub-Total	4540	4000	1360			5750	7150			0	2800	200	Sub-Total	
TOTAL CONNECTED LOAD PER PHASE				DEMAND LOAD (VA)				WIRE SIZE CALCULATIONS				ENCLOSURE		
Phase A	Phase C			Phase A	Phase C			LARGEST PHASE DEMAND	7.15	KVA	NEMA 4X (OUTDOOR STAINLESS STEEL)		MOUNTING	FREE STANDING
				DEMAND FACTOR				NO. OF PHASES	2.00				MAIN TYPE	MB
LOAD TYPE								DEMAND LOAD	14.30	KVA			SIZE	125A
LIGHTING	2270.00	2270.00		1.00	2270.00	2270.00		SPARE CAPACITY @25%	3.58	KVA			FEED THRU	NO
RECEPTACLES	2400.00	4400.00			2400.00	4400.00		TOTAL DEMAND LOAD	17.88	KVA			FEED	BOTTOM
MOTORS/OTHER	1080.00	480.00		1.00	1080.00	480.00		SUPPLY VOLTAGE	240.00	V			BUS RATING	125A
TOTAL	5750.00	7150.00			5750.00	7150.00		DEMAND AMPS	74.48	AMPS			SERVICE RATED	YES
TOTAL CONNECTED LIGHTING LOAD												MIN FULL EQUIP KVA RATING		22
TOTAL CONNECTED RECEPTACLE LOAD												TYPE		NGOOD
TOTAL CONNECTED MOTOR/OTHER LOAD												MANUFACTURER		SQUARE D
TOTAL CONNECTED LOAD												OTHER		TVSS
Diversified per NEC Table 220.13.												VOLTS		120/ 240
												V 1 Phase, 3 Wire & Grd Bus Bar		

PANEL LOAD SUMMARY														
Panel: PE-2														
Equipment	LIGHT	RCPT	O/M	CB SIZE	CIRCUIT #	PHASE A	PHASE B	CIRCUIT #	CB SIZE	LIGHT	RCPT	O/M	Equipment	
POLE LIGHTS	280			20/2	1	1480		13	20/1		1200		POLE MOUNTED RECEPTACLE	
	280				2		1480	14	20/1		1200		POLE MOUNTED RECEPTACLE	
POLE LIGHTS	1500			20/2	3	2700		15	20/1		1200		POLE MOUNTED RECEPTACLE	
	1500				4		1700	16	20/1			200	IRRIGATION CONTROLLER	
POLE LIGHTS	990			20/2	5	1480		17	20/2	490			POLE LIGHTS	
	990				6		1480	18		490			POLE LIGHTS	
WIRELESS ACCESS POINT			320	20/1	7	1520		19	20/1		1200		POLE MOUNTED RECEPTACLE	
WIRELESS ACCESS POINT			480	20/1	8		960	20	20/1			480	WIRELESS ACCESS POINT	
WIRELESS ACCESS POINT			720	20/1	9	720		21	20/1				SPACE	
POLE MOUNTED RECEPTACLE		1600		20/1	10		1600	22	20/1				SPACE	
POLE MOUNTED RECEPTACLE		1200		20/1	11	1200		23	20/1				SPACE	
POLE MOUNTED RECEPTACLE		1200		20/1	12		1200	24	20/1				SPACE	
Sub-Total	5540	4000	1520			9100	8420			980	4800	680	Sub-Total	
TOTAL CONNECTED LOAD PER PHASE				DEMAND LOAD (VA)				WIRE SIZE CALCULATIONS				ENCLOSURE		
Phase A	Phase B			Phase A	Phase B			LARGEST PHASE DEMAND	9.10	KVA	NEMA 4X (OUTDOOR STAINLESS STEEL)		MOUNTING	FREE STANDING
				DEMAND FACTOR				NO. OF PHASES	2.00				MAIN TYPE	MB
LOAD TYPE								DEMAND LOAD	18.20	KVA			SIZE	125A
LIGHTING	3260.00	3260.00		1.00	3260.00	3260.00		SPARE CAPACITY @25%	4.55	KVA			FEED THRU	NO
RECEPTACLES	4800.00	4000.00			4800.00	4000.00		TOTAL DEMAND LOAD	22.75	KVA			FEED	BOTTOM
MOTORS/OTHER	1040.00	1160.00		1.00	1040.00	1160.00		SUPPLY VOLTAGE	240.00	V			BUS RATING	125A
TOTAL	9100.00	8420.00			9100.00	8420.00		DEMAND AMPS	94.79	AMPS			SERVICE RATED	YES
TOTAL CONNECTED LIGHTING LOAD												MIN FULL EQUIP KVA RATING		22
TOTAL CONNECTED RECEPTACLE LOAD												TYPE		NGOOD
TOTAL CONNECTED MOTOR/OTHER LOAD												MANUFACTURER		SQUARE D
TOTAL CONNECTED LOAD												OTHER		TVSS
Diversified per NEC Table 220.13.												VOLTS		120/ 240
												V 1 Phase, 3 Wire & Grd Bus Bar		

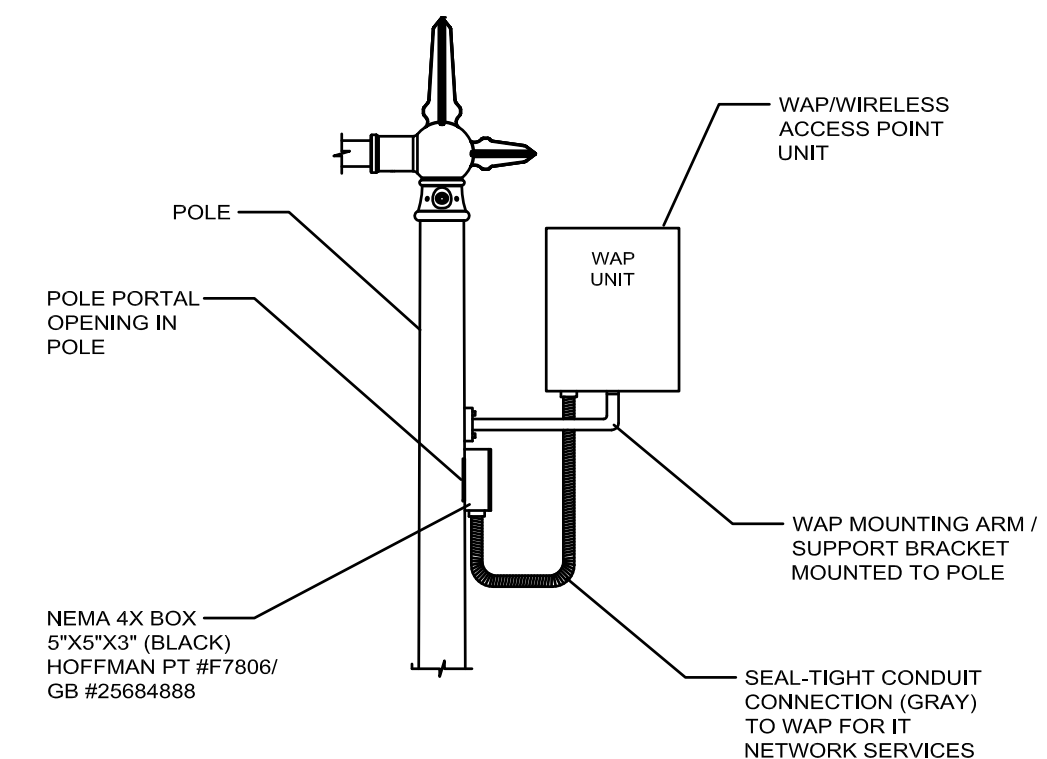
DETAIL - "B"
NEMA 4X - 5" X 5" X 3"
(BLACK) W/GASKETED COVER
N.T.S.



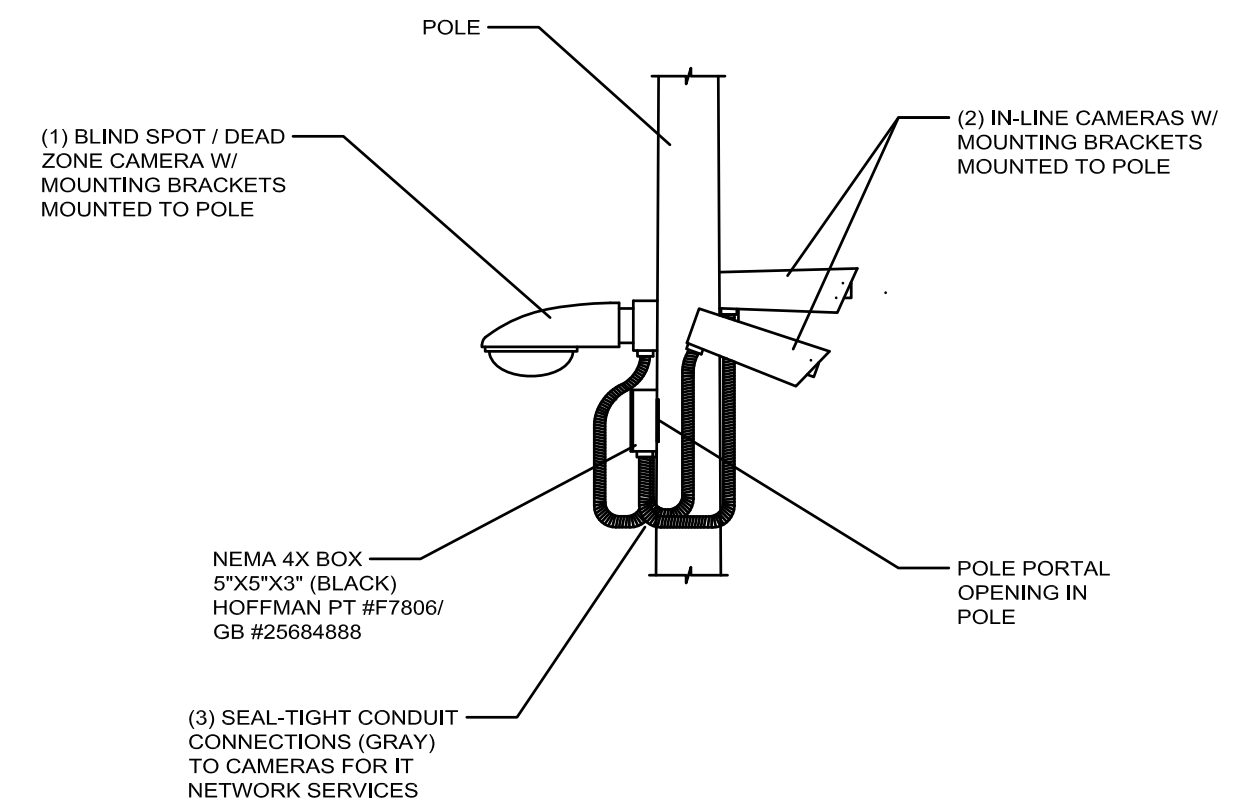
DETAIL - "A"
PORTAL OPENING
N.T.S.



DETAIL - "C"
NEMA 4X - 5"X5"X3" BOX W/
SEAL-TIGHT (GRAY) CONDUITS
FOR CONNECTIONS TO WAP
N.T.S.



DETAIL - "D"
NEMA 4X - 5"X5"X3" BOX W/
SEAL-TIGHT (GRAY) CONDUITS
FOR CONNECTIONS TO CAMERAS
N.T.S.



FIBER INFRASTRUCTURE PROJECT
CONTRACTOR NOTE:
1. The data concerning the IT-Cabinet w/all hardware, Network Data Switches and Power Supplies, Fiber Patch Cords, CAT-6 Patch Cords in the IT-Cabinet, Seal-tight conduit connections from Camera Housings/WAP Housings to the NEMA J-Boxes and the Electrical Receptacle/Outlet and Ground Bar that are provided on this drawing are for information purposes only.
2. The placement of all these items are being installed under a separate contract.
3. The Installation of all NEMA J-Boxes, Fiber and LIU/FODPU, CAT-6 Station Cable and Termination Box, with all Mounting Hardware are the Fiber Infrastructure-Vendor/Contractor's Responsibility.
4. All Fiber and CAT-6 Patch Cords shall be provided by the Fiber Infrastructure-Vendor/Contractor. All Patch Cords will be provided to the City of Tuscaloosa, stored in the Main IT-Comm. Center for each of the CityWalk Project Sections. The installation of the Patch Cords will be completed by the Data Network, Security/Camera Network and Wireless Network Vendors/Contractors for installation.

WALKER ASSOCIATES, INC.
ENGINEERING, PLANNING, GIS & SURVEYING
www.walkercivil.com
P (205) 561-3778 F (205) 561-3779
917 22nd Avenue - Suite B
Tuscaloosa, AL 35401

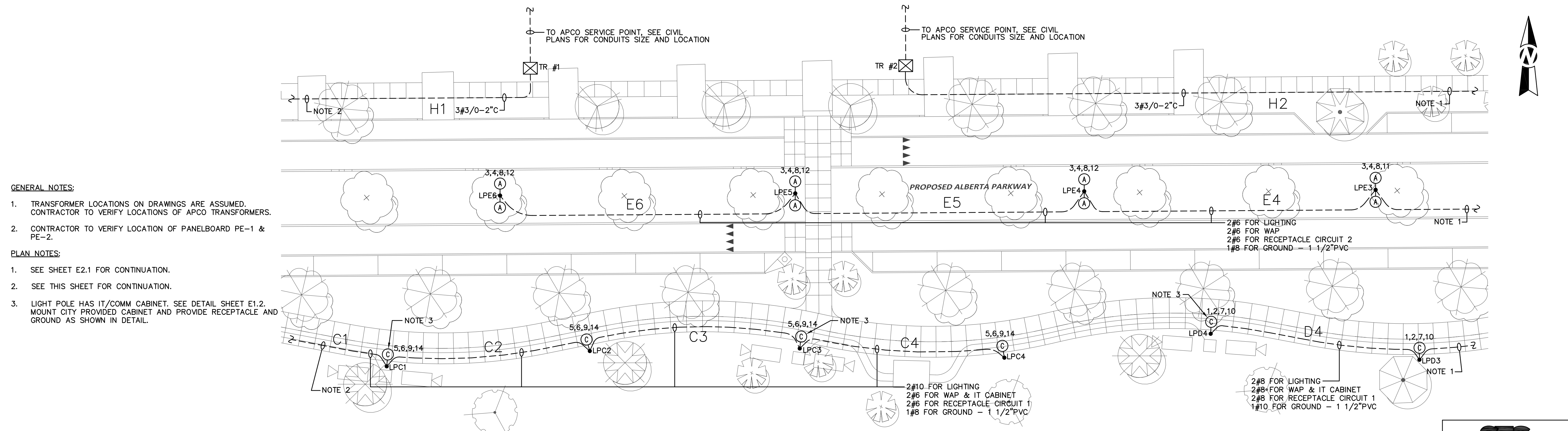
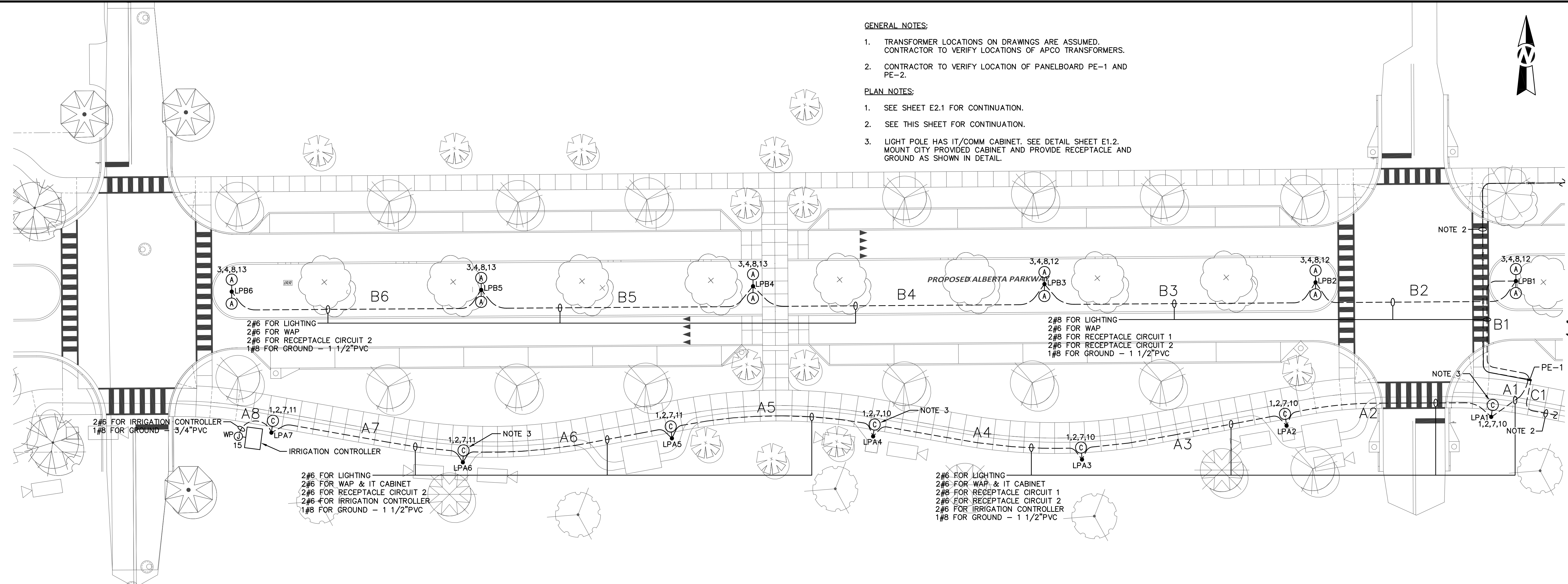


PANELBOARD SCHEDULES & DETAILS
CITY OF TUSCALOOSA
ALBERTA REVITALIZATION INFRASTRUCTURE PROJECT
PHASE 1B - 23RD AVENUE EAST TO 26TH AVENUE EAST
CITY OF TUSCALOOSA PROJECT: A12-1324

No.	Date	Description
1	4/23/15	Addendum No. 2
Drawn By:	AL	Checked By: JK
Date:	3/30/15	Job No.: 12-100
File Name:	14-08_E1.3.dwg	

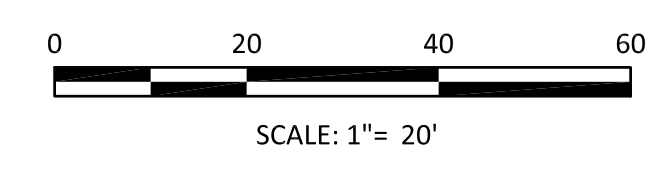
SEG
A FISHER ARNOLD COMPANY
1507 Alac Drive, Suite 101 | Birmingham, AL 35210
205.833.7033 | Fax: 205.314.0180 | fisherarnold.com
PROJECT: 14-08 (J8651)

Sheet No.
E1.3



ROADWAY PLAN - PHASE 1B - LIGHTING

SCALE: 1" = 20'-0"



SEG
A FISHER ARNOLD COMPANY
1507 Alex Drive, Suite 101 | Birmingham, AL 35210
205.833.7033 | Fax: 205.314.0180 | fisherarnold.com
PROJECT: 14-08 (J8651)

WALKER ASSOCIATES, INC.
ENGINEERING, PLANNING, GIS & SURVEYING
917 22nd Avenue - Suite B
Tuscaloosa, AL 35401
www.walkercivil.com
P (205) 561-3778 | F (205) 561-3779

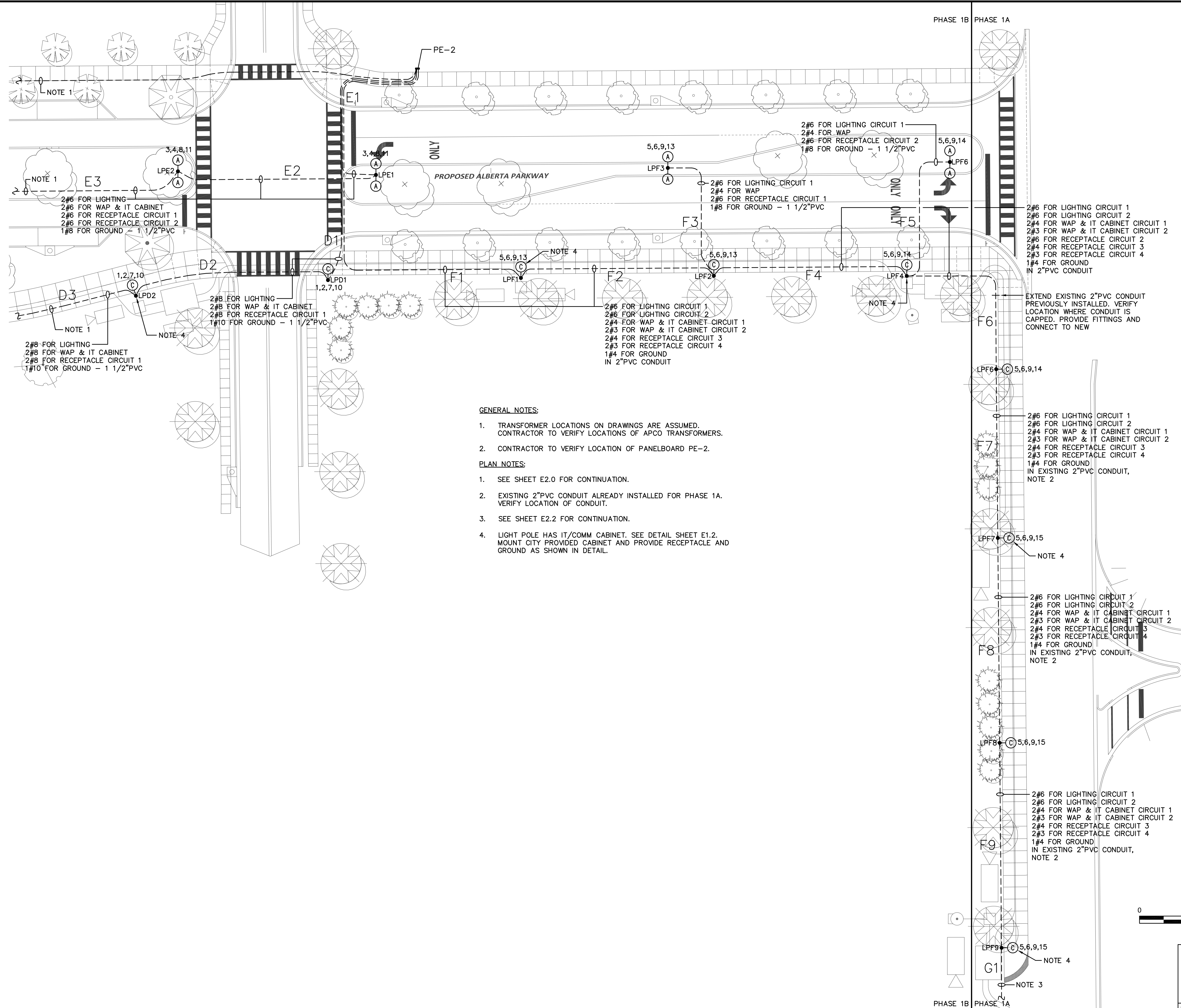


ROADWAY PLAN - PHASE 1B - LIGHTING
CITY OF TUSCALOOSA
ALBERTA REVITALIZATION INFRASTRUCTURE PROJECT
PHASE 1B - 23RD AVENUE EAST TO 26TH AVENUE EAST
TUSCALOOSA, ALABAMA
CITY OF TUSCALOOSA PROJECT: A12-1324

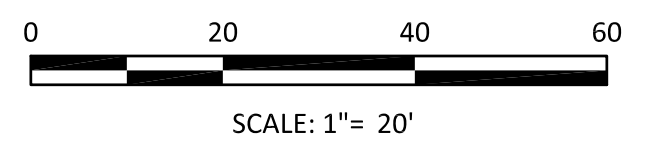
No.	Date	Description
1	4/23/15	Addendum No. 2

Drawn By: AL
Date: 3/30/15
Checked By: JK
Job No.: 12-100
File Name: 14-08_E2.0-2.2.dwg

Sheet No.
E2.0



- GENERAL NOTES:**
1. TRANSFORMER LOCATIONS ON DRAWINGS ARE ASSUMED. CONTRACTOR TO VERIFY LOCATIONS OF APCO TRANSFORMERS.
 2. CONTRACTOR TO VERIFY LOCATION OF PANELBOARD PE-2.
- PLAN NOTES:**
1. SEE SHEET E2.0 FOR CONTINUATION.
 2. EXISTING 2\"/>



SEG
A FISHER ARNOLD COMPANY
1507 Alex Drive, Suite 101 | Birmingham, AL 35210
205.833.7033 | Fax: 205.314.0180 | fisherarnold.com
PROJECT: 14-08 (J8651)

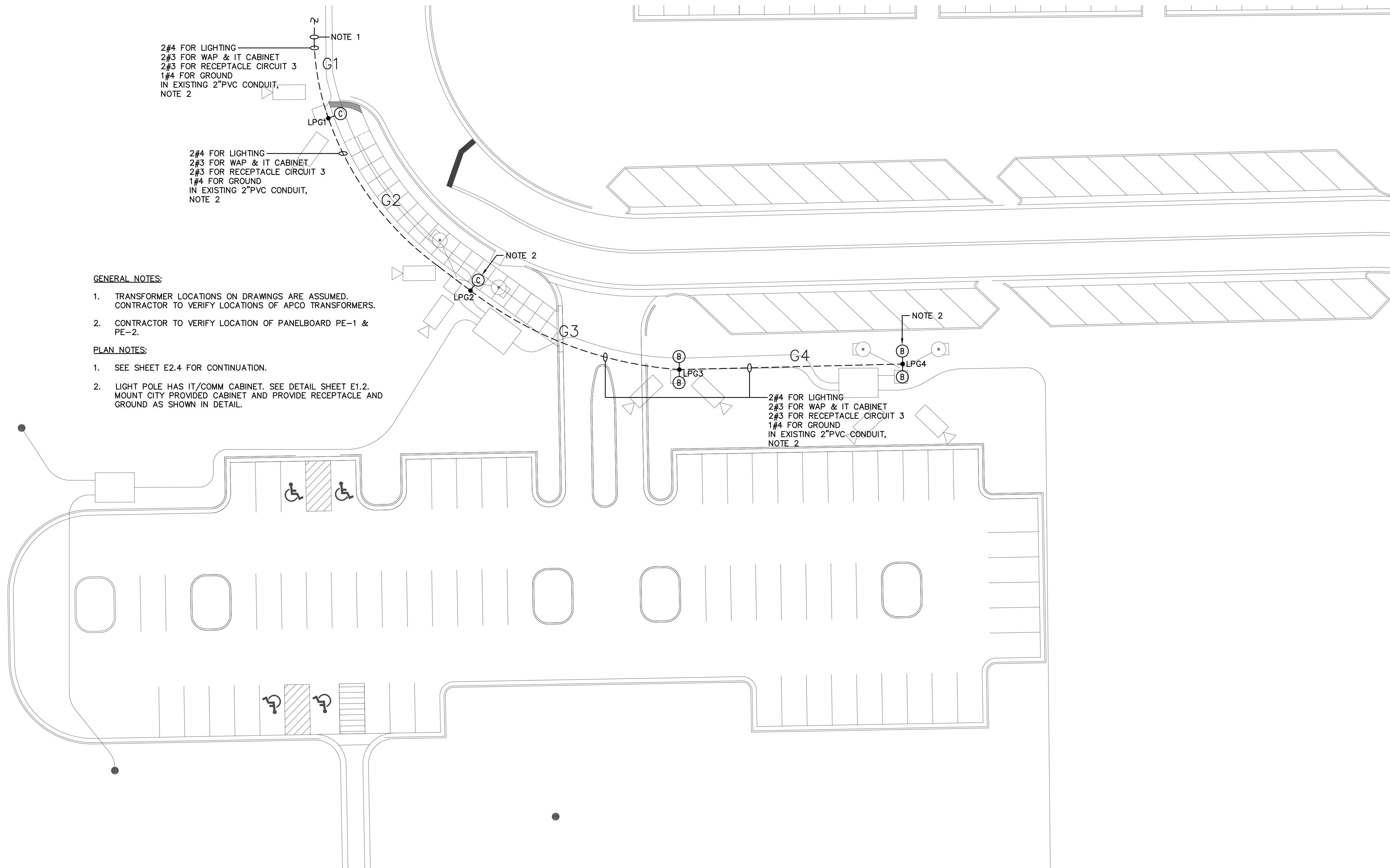
WALKER ASSOCIATES, INC.
ENGINEERING, PLANNING, GIS & SURVEYING
www.walkercivil.com
917 22nd Avenue - Suite B
Tuscaloosa, AL 35401
P (205) 561-3778 | F (205) 561-3779



ROADWAY PLAN - PHASE 1A & 1B - LTG
CITY OF TUSCALOOSA
ALBERTA REVITALIZATION INFRASTRUCTURE PROJECT
PHASE 1B - 23RD AVENUE EAST TO 26TH AVENUE EAST
TUSCALOOSA, ALABAMA
CITY OF TUSCALOOSA PROJECT: A12-1324

No.	Description	Date	Drawn By:	Checked By:
1	Addendum No. 2	4/23/15	AL	JK
			Date:	Job No.:
			3/30/15	12-100
			File Name: 14-08_E2.0-2.dwg	

Sheet No.
E2.1

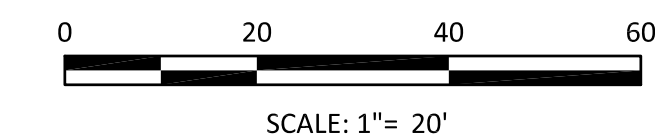


GENERAL NOTES:

1. TRANSFORMER LOCATIONS ON DRAWINGS ARE ASSUMED. CONTRACTOR TO VERIFY LOCATIONS OF APCO TRANSFORMERS.
2. CONTRACTOR TO VERIFY LOCATION OF PANELBOARD PE-1 & PE-2.

PLAN NOTES:

1. SEE SHEET E2.4 FOR CONTINUATION.
2. LIGHT POLE HAS IT/COMM CABINET. SEE DETAIL SHEET E1.2. MOUNT CITY PROVIDED CABINET AND PROVIDE RECEPTACLE AND GROUND AS SHOWN IN DETAIL.



SEG
A FISHER ARNOLD COMPANY
1507 Alex Drive, Suite 101 | Birmingham, AL 35210
205.833.7033 | Fax: 205.314.0180 | fishernold.com
PROJECT: 14-08 (J8651)

WA WALKER ASSOCIATES, INC.
ENGINEERING, PLANNING, GIS & SURVEYING
917 22nd Avenue - Suite B
Tuscaloosa, AL 35401
www.walkercivil.com
P (205) 561-3778 | F (205) 561-3779



ROADWAY PLAN - PHASE 1A & 1B - LTG
CITY OF TUSCALOOSA
ALBERTA REVITALIZATION INFRASTRUCTURE PROJECT
PHASE 1B - 23RD AVENUE EAST TO 26TH AVENUE EAST
TUSCALOOSA, ALABAMA
CITY OF TUSCALOOSA PROJECT: A12-1324

No.	Date	Description
1	4/23/15	Addendum No. 2
Drawn By: AL		Checked By: JK
Date: 3/30/15		Job No.: 12-100
File Name: 14-08_E2.0-2.2.dwg		

Sheet No.
E2.2

POLE SCHEDULE

POLE	TYPE "A"	TYPE "B"	TYPE "C"	CAMERA	WAP
LPA1			-		
LPA2			-	-	
LPA3			-		
LPA4			-	-	-
LPA5			-		
LPA6			-	-	
LPA7			-		
LPB1	-				
LPB2	-				
LPB3	-				
LPB4	-				
LPB5	-				
LPB6	-				
LPC1			-	-	
LPC2			-		
LPC3			-	-	-
LPC4			-		
LPD1			-		
LPD2			-	-	
LPD3			-		
LPD4			-	-	
LPE1	-				
LPE2	-				
LPE3	-				
LPE4	-				
LPE5	-				
LPE6	-				
LPF1			-	-	-
LPF2			-		
LPF3	-				
LPF4			-	-	
LPF5	-				
LPF6			-		
LPF7			-	-	
LPF8			-		
LPF9			-	-	-
LPG1			-	-	
LPG2			-	-	-
LPG3		-		-	
LPG4		-		-	-