



## **ADDENDUM NO. 2:**

Date: March 3, 2017  
 Project: The EDGE Business Resource Center  
 Owner: The City of Tuscaloosa  
 Owner's Project No: A16-1320 (Previously City #A14-1210)  
 Architect: Ward Scott Architecture, Inc.

This Addendum forms a part of the Contract Documents and modifies the original Bid Documents dated July 30, 2015, as noted below.

Acknowledge receipt of this Addendum in the location provided on the Bid Proposal Form.

### **1.1 GENERAL**

- A. All Trade Packages will bid all alternates. If there is no cost change in a certain trade it should be bid as \$0.00.
- B. See attached RH Smith and Associates Addendum

### **1.2 SPECIFICATIONS AND DRAWINGS**

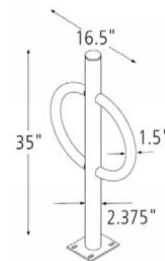
- A. Specifications:
  1. Refer to Specification Section 042000 – Unit Masonry
    - a. Page 5 – Paragraph 2.4.
      - 1) Paragraph D.1.a. – Add the following:
        - 5) Spec Mix, Inc.
      - 2) Paragraph F.1 – Add the following:
        - e. Spec Mix, Inc.
      - 3) Paragraph G.1.a. – Add the following:
        - 2) Spec Mix, Inc.
  2. Refer to Specification Section 055813 – Column Covers:
    - a. Page 2 – Paragraph 2.1.A Manufacturers. Revise as Follows:
      - A. Acceptable Manufacturers:
        1. Abrams Architectural Products, Inc.
        2. ATAS International, Inc.
        3. Centria, an NCI Building Systems Company
        4. Fry Reglet Architectural Metals
        5. Peterson Pac-Clad
        6. Or Approved Equal Conforming to the Plans and Specifications
  3. Refer to Specification Section 061600 – Sheathing:
    - a. Page 1. Delete Paragraph 2.2.
    - b. All exterior wall sheathing on this project whether indicated as “gypsum sheathing”, “sheathing” or by any other implied term meant to indicate sheathing, shall be provided as specified under Paragraph 2.3.
  4. Refer to Specification Section 072726 – Fluid-Applied Membrane Air Barriers:
    - a. Page 3 – Paragraph 2.3.A.2.a. Add the following:
      - 4) GE Elemax 2600 AWB
  5. Refer to Specification Section 074113.16 – Standing-Seam Metal Roof Panels:
    - a. Page 3 – Paragraph 2.1.B.1. Add the following:
      - j. Fabral

6. Refer to Specification Section 075419 – PVC Roofing:
  - a. Page 4 – Paragraph 2.3.A.2. Revise as follows:
    2. Equal roof systems by Garland, Imetco, Sika Sarnafil, Versico, and Mule-Hide Products Co. are acceptable.
7. Refer to Specification Section 095113 – Acoustical Panel Ceilings:
  - a. Page 6 – Paragraph 3.4.A.1.a. Revise as follows:
    - a. Panel: "Ultima Tegular fine texture," #1951, Armstrong World Industries, Inc., USG Mars 86786 or equivalent.
8. Delete Specification Section 077200 Roof Accessories in its entirety. Roof Access shall be provided under Specification Section 083113 Access Doors and Frames
9. Refer to Specification Section 105513 – Postal Specialties:
  - a. Page 4 – Add the following Paragraph 2.7:

### **2.7. MANUFACTURERS**

- A. Basis of Design Product: Salsbury Industries, Model #3713D-14.
    1. Quantity of Units to accommodate requirements indicated in plans and specifications.
  - B. Or Approved Equal Conforming to the Plans and Specifications
10. Replace Specification Section 108200 Toilet, Bath, and Laundry Accessories in its entirety with the attached Revised Section.
  11. Refer to Specification Section 104413 – Fire Protection Cabinets:
    - a. Page 3 – Paragraph 3.1.A, add the following subparagraph 1:
      1. All fire protection cabinets shall be sized to install in a wall consisting of 3 5/8" studs and 5/8" gypsum wall board.
  12. Refer to Specification Section 122413 – Roller Window Shades:
    - a. Page 1 – Paragraph 1.3.F, replace this paragraph in its entirety with the following:
      - F. Roller Shade Schedule: Include at the following Locations:
        1. Openings Indicated on Drawing A101 as SF4, SF5, SF6, and SF7, and SF8 and SF11 at Training Room 103.
  13. Refer to Specification Section #129300 – Site Furnishings:
    - a. Page 1 – Paragraph 2.1.A.1, add the following:
      - c. Finish: Powder Coated Steel, Silver Color
    - b. Page 1 – Paragraph 2.1.B, replace in its entirety as follows:
      - B. Manufacturers:
        1. Basis-of-Design Product: American Bicycle Security Company, Bike Hitch.
        2. Accepted Manufacturers: Belson Outdoors, LLC; Madrax by Graber Manufacturing, Inc., or others conforming to the plans and specifications.

Diagrammatic drawing indicated at right.
      - c. For information, Bollard Detail is located in drawings at 9/AC02 and locations indicated on AC01 and AC02. Bike Rack locations are indicated on A101.
  - B. Drawings:
    1. Refer to the attached Sheet SD-1 for information regarding the monument sign included in Alternate #4.
    2. Replace Sheet A111 Enlarged Plans with the attached Revised Sheet. Note revision of Mark 'B' to indicate shower grab bar and Mark 'M' to indicate Mop and Broom Holder location.

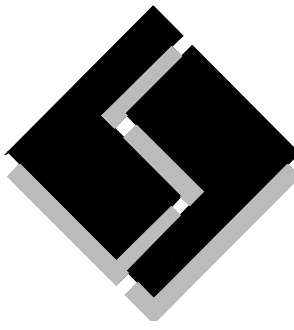


### **1.3 ATTACHED TO ADDENDUM**

- A. RH Smith and Associates Addendum
- B. Supplemental Drawing SD-1
- C. Revised Specification Section 108200 Toilet, Bath, and Laundry Accessories
- D. Architectural Sheets A111

**END OF ADDENDUM**

# ADDENDUM



Smith, Stegall & associates p.c.

◆  
*Consulting Engineers*

◆  
2110 Eighth Street, Tuscaloosa, AL 35401

◆  
Phone/ Fax 205 345 4402

PROJECT: <b>The Edge Business Resource Center</b>	ENG JOB # <b>1436</b>	DATE: <b>February 27, 2017</b>
--	--------------------------	-----------------------------------

## PLUMBING:

1. Specification section 221005: Storm water piping to be same as sanitary sewer piping. Service weight hub and spigot below grade and service weight no hub above grade.
2. Breakroom 128: Sink to be P-15.

**END OF ADDENDUM**

## **SECTION 108200 – TOILET, BATH, AND LAUNDRY ACCESSORIES**

### **PART 1 - GENERAL**

#### **1.1 RELATED DOCUMENTS**

- A. Drawings and general provisions of the Contract, including General and Supplementary Conditions and Division 1 Specification Sections, apply to this Section.

#### **1.2 SUMMARY**

- A. This Section includes the following:
  - 1. Public-use washroom accessories.
  - 2. Underlavatory guards.
  - 3. Custodial accessories.
- B. Owner-Furnished/Contractor Installed Material: Toilet Tissue Dispensers and Paper Towel Dispensers in Public Restrooms.
  - 1. Contractor to install.
- C. Related Sections include the following:
  - 1. Division 8 Section "Mirrors" for frameless mirrors.
  - 2. Division 9 Section "Ceramic Tile" for ceramic toilet and bath accessories.

#### **1.3 SUBMITTALS**

- A. Product Data: For each type of product indicated. Include the following:
  - 1. Construction details and dimensions.
  - 2. Anchoring and mounting requirements, including requirements for cutouts in other work and substrate preparation.
  - 3. Material and finish descriptions.
  - 4. Features that will be included for Project.
  - 5. Manufacturer's warranty.
- B. Samples: Full size, for each accessory item to verify design, operation, and finish requirements.
  - 1. Approved full-size Samples will be returned and may be used in the Work.
- C. Product Schedule: Indicating types, quantities, sizes, and installation locations by room of each accessory required.
  - 1. Identify locations using room designations indicated on Drawings.
- D. Maintenance Data: For toilet and bath accessories to include in maintenance manuals.

#### **1.4 QUALITY ASSURANCE**

- A. Source Limitations: For products listed together in the same articles in Part 2, provide products of same manufacturer unless otherwise approved by Architect.

#### **1.5 COORDINATION**

- A. Coordinate accessory locations with other work to prevent interference with clearances required for access by people with disabilities, and for proper installation, adjustment, operation, cleaning, and servicing of accessories.
- B. Deliver inserts and anchoring devices set into concrete or masonry as required to prevent delaying the Work.

### **PART 2 - PRODUCTS**

#### **2.1 MATERIALS**

- A. Stainless Steel: ASTM A 666, Type 304, 0.0312-inch (0.8-mm) minimum nominal thickness, unless otherwise indicated.
- B. Brass: ASTM B 19 flat products; ASTM B 16 (ASTM B 16M), rods, shapes, forgings, and flat products with finished edges; or ASTM B 30, castings.
- C. Steel Sheet: ASTM A 1008/A 1008M, Designation CS (cold rolled, commercial steel), 0.0359-inch (0.9-mm) minimum nominal thickness.

- D. Galvanized Steel Sheet: ASTM A 653/A 653M, with G60 (Z180) hot-dip zinc coating.
- E. Galvanized Steel Mounting Devices: ASTM A 153/A 153M, hot-dip galvanized after fabrication.
- F. Fasteners: Screws, bolts, and other devices of same material as accessory unit and tamper-and-theft resistant where exposed, and of galvanized steel where concealed.
- G. Chrome Plating: ASTM B 456, Service Condition Number SC 2 (moderate service).

## **2.2 TOILET AND BATH ACCESSORY SCHEDULE**

- A. Soap Dispensers
  - 1. Bobrick #B-40
- B. Paper Towel Dispensers
  - 1. Bay West #86800 or Bobrick 72860
- C. Toilet Paper Dispensers
  - 1. Kimberly-Clark #09551, Insight JRT Escort, Jumbo Roll Tissue Dispenser, [http://www.kcprofessional.com/us/product-details.asp?site=kcprofessional\\_com\\_us&client=kcprofessional\\_com\\_us&proxystylesheet=kcprofessional\\_com\\_us&output=xml\\_no\\_dtd&q=09551&search=v1&searchtext=09551&btnGo=Go](http://www.kcprofessional.com/us/product-details.asp?site=kcprofessional_com_us&client=kcprofessional_com_us&proxystylesheet=kcprofessional_com_us&output=xml_no_dtd&q=09551&search=v1&searchtext=09551&btnGo=Go)
- D. Sanitary Napkin Receptacle
  - 1. Rubbermaid 6140, Sanitary Napkin Receptacle with Rigid Liner, <http://www.rcpworksmarter.com/rcp/products/detail.jsp?rcpNum=6140&search=6140>
    - a. Locations: Rest Room 120, Rest Room 127, Women 132
- E. Grab Bars:
  - 1. Products: Available products include the following: Bobrick #B-5806 series.
  - 2. Stainless-Steel Nominal Thickness: Minimum 0.05 inch (1.3 mm).
  - 3. Mounting: Concealed with manufacturer's standard flanges and anchors.
  - 4. Gripping Surfaces: Manufacturer's standard slip-resistant texture.
  - 5. Outside Diameter at adult toilets: 1-1/2 inches (32 mm).
- F. Mirror Unit:
  - 1. Products: Available products include the following: Bobrick #B-165 -#1836. See drawings for locations.
  - 2. Stainless-Steel, Channel-Framed Mirror: Fabricate frame from stainless-steel channels in manufacturer's standard satin or bright finish with square corners mitered to hairline joints and mechanically interlocked.
- G. Mop and Broom Holder:
  - 1. Products: Available products include the following: Bobrick #B-224.
  - 2. Mop and Broom Holder with Utility Shelf: 36-inch- (914-mm-) long unit fabricated of minimum nominal 0.05-inch- (1.3-mm-) thick stainless steel with shelf; support brackets for wall mounting; three hooks for wiping rags; four spring-loaded, rubber hat, cam-type, mop/broom holders mounted on front of shelf; and approximately 1/4-inch- (6-mm-) diameter, stainless-steel rod suspended beneath shelf for drying rags.
    - a. Location: Supply 107
- H. Robe Hooks:
  - 1. Products: Available products include the following: Bobrick #B-21. See drawings for locations.

## **2.3 PUBLIC-USE SHOWER ROOM ACCESSORIES**

- A. Shower Curtain Rod
  - 1. Description: 1-1/4-inch (32-mm) OD; fabricated from nominal 0.05-inch- (1.3-mm-) thick stainless steel.
  - 2. Mounting Flanges: Stainless-steel flanges designed for exposed fasteners
  - 3. Finish: No. 4 (satin).
- B. Shower Curtain
  - 1. Products: Available products include the following: Bobrick #B-204-2. Provide appropriate hooks as recommended by the manufacturer.
- C. Folding Shower Seat:
  - 1. Configuration: L-shaped seat, designed for wheelchair access.
  - 2. Seat: Phenolic or polymeric composite of slat-type or one-piece construction in color as selected by Architect.
  - 3. Mounting Mechanism: Stainless steel, No. 4 finish (satin).
  - 4. Dimensions: 2'-10"x1'-5".

- D. Shower Grab Bars:
  1. Products: Available products include the following: Bobrick #B-5837.
  2. Stainless-Steel Nominal Thickness: Minimum 0.05 inch (1.3 mm).
  3. Mounting: Concealed with manufacturer's standard flanges and anchors.
  4. Gripping Surfaces: Manufacturer's standard slip-resistant texture.
  5. Outside Diameter : 1-1/2 inches (32 mm).

## **2.4 UNDERLAVATORY GUARDS**

- A. Available Manufacturers: Subject to compliance with requirements, manufacturers offering products that may be incorporated into the Work include, but are not limited to, the following:
- B. Manufacturers: Subject to compliance with requirements, provide products by one of the following:
- C. Basis-of-Design Product: The design for accessories is based on products indicated. Subject to compliance with requirements, provide the named product or a comparable product by one of the following:
  1. Plumberex Specialty Products, Inc.
  2. TCI Products.
  3. Truebro, Inc.
- D. Underlavatory Guard:
  1. Basis-of-Design Product: TCI Products #SG-101 and 102 for exposed stops and P-traps.
  2. Description: Insulating pipe covering for supply and drain piping assemblies, which prevent direct contact with and burns from piping, and allow service access without removing coverings.
  3. Material and Finish: Antimicrobial, molded-plastic, white.

## **2.5 CUSTODIAL ACCESSORIES**

- A. Basis-of-Design Product: The design for accessories is based on products indicated. Subject to compliance with requirements, provide the named product or a comparable product by one of the following:
  1. A & J Washroom Accessories, Inc.
  2. American Specialties, Inc.
  3. Bobrick Washroom Equipment, Inc.
  4. Bradley Corporation.
- B. Mop and Broom Holder:
  1. Basis-of-Design Product: Bobrick Washroom Equipment, Inc. #B-224
  2. Description: Unit with shelf, hooks, holders, and rod suspended beneath shelf.
  3. Length: 30.
  4. Hooks: Two.
  5. Mop/Broom Holders: Three, spring-loaded, rubber hat, cam type.
  6. Material and Finish: Stainless steel, No. 4 finish (satin).
    - a. Shelf: Not less than nominal 0.05-inch- (1.3-mm-) thick stainless steel.
    - b. Rod: Approximately 1/4-inch- (6-mm-) diameter stainless steel.
  7. Location: Supply 107

## **2.6 FABRICATION**

- A. General: Fabricate units with tight seams and joints, and exposed edges rolled. Hang doors and access panels with full-length, continuous hinges. Equip units for concealed anchorage and with corrosion-resistant backing plates.
- B. Keys: Provide universal keys for internal access to accessories for servicing and resupplying. Provide minimum of ten keys to Owner's representative.

## **PART 3 - EXECUTION**

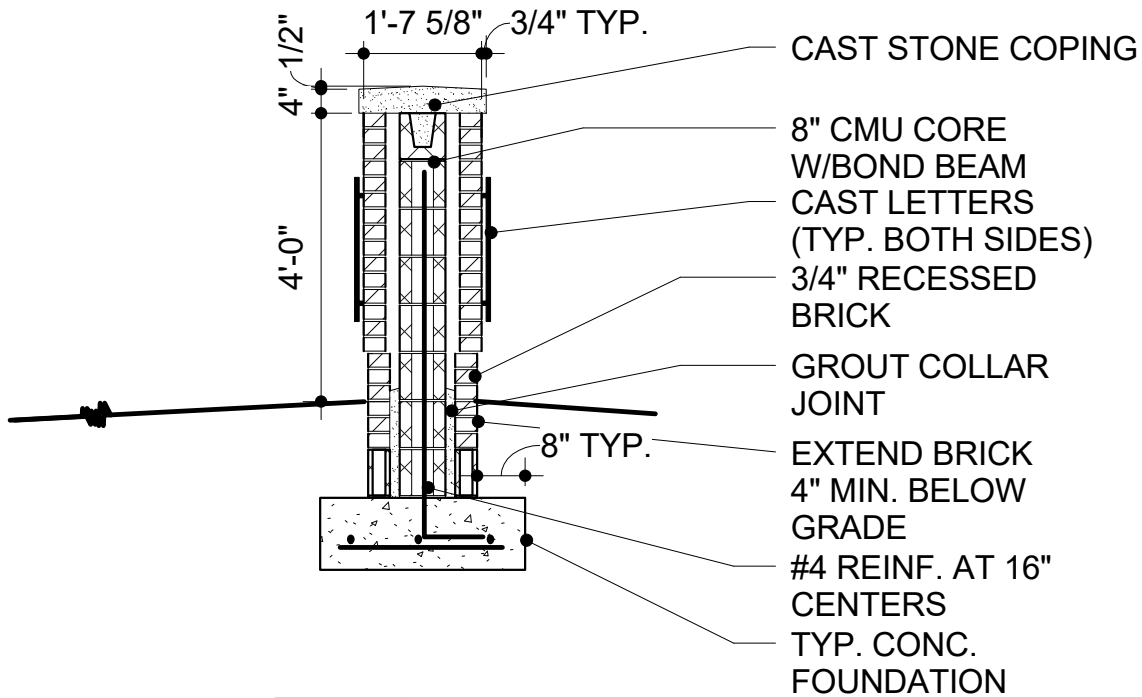
### **3.1 INSTALLATION**

- A. Install accessories according to manufacturers' written instructions, using fasteners appropriate to substrate indicated and recommended by unit manufacturer. Install units level, plumb, and firmly anchored in locations and at heights indicated.
- B. Grab Bars: Install to withstand a downward load of at least 250 lbf (1112 N), when tested according to method in ASTM F 446.

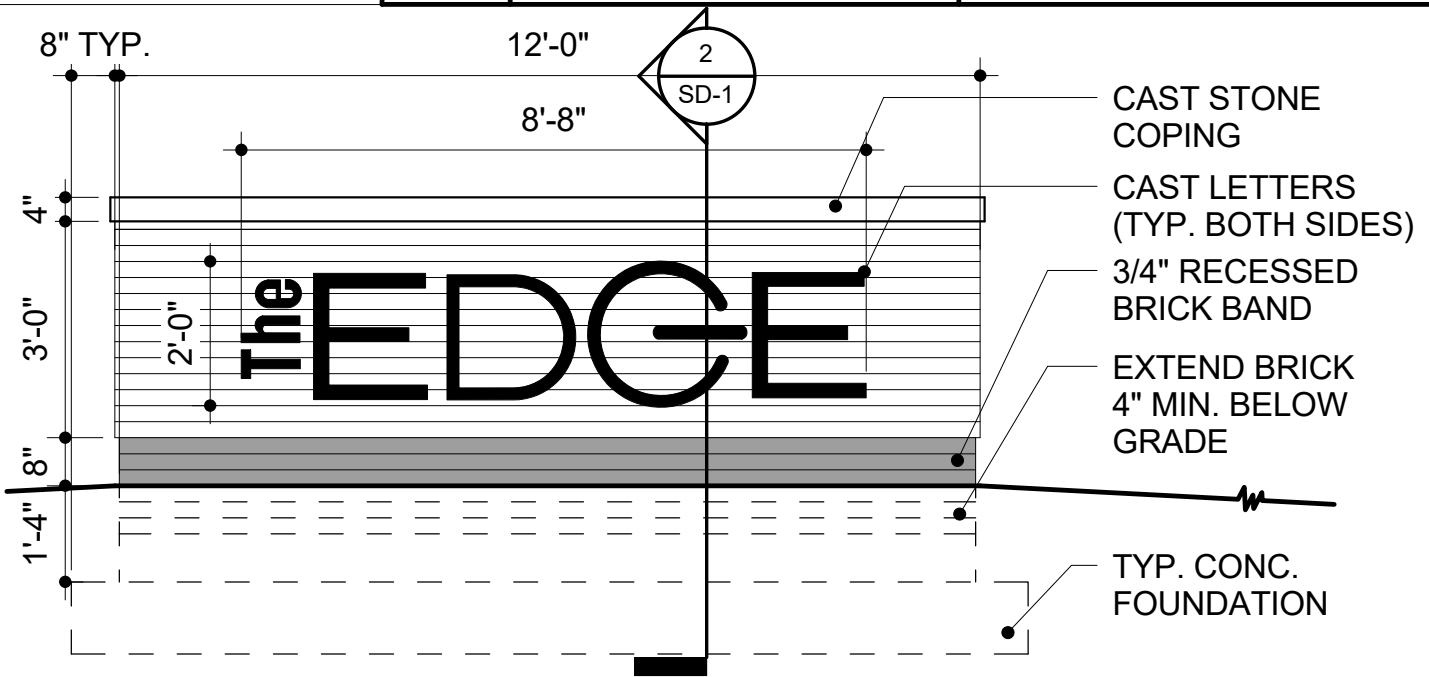
**3.2 ADJUSTING AND CLEANING**

- A. Adjust accessories for unencumbered, smooth operation. Replace damaged or defective items.
- B. Remove temporary labels and protective coatings.
- C. Clean and polish exposed surfaces according to manufacturer's written recommendations.

**END OF SECTION 10801**



2	MONUMENT SIGN SECTION	SCALE: 3/8" = 1'-0"
---	-----------------------	---------------------



1	MONUMENT SIGN ELEV.	SCALE: 3/8" = 1'-0"
---	---------------------	---------------------

JOB NO.: 13-073	DATE: 03/02/17	REVISIONS:	SD-1
-----------------	----------------	------------	------

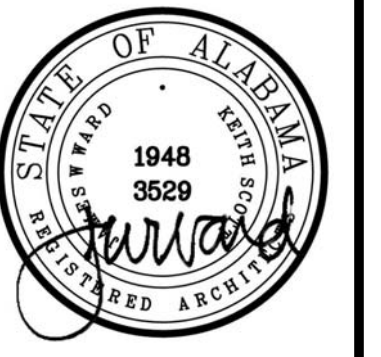
<p> <b>WARD SCOTT</b>        ARCHITECTURE        2715 Seventh Street        Tuscaloosa, AL 35401        www.ward-scott.com     </p>		<p>       THE EDGE BUSINESS        THE CITY OF TUSCALOOSA        2627 10TH AVENUE,        TUSCALOOSA, ALABAMA     </p>
---	--	--





**ACCESSORIES LEGEND**

- ▲ A GRAB BAR 18"
- ▲ B TWO-WALL SHOWER COMPARTMENT BAR
- ▲ C GRAB BAR 36"
- ▲ D GRAB BAR 48"
- ▲ E SOAP DISPENSER
- ▲ F PAPER TOWEL DISPENSER
- ▲ G TOILET TISSUE DISPENSER
- ▲ H SHOWER CURTAIN
- ▲ J FOLDING BENCH
- ▲ K ROBE HOOK
- ▲ L MIRROR
- ▲ M MOP AND BROOM HOLDER



CONSTRUCTION DOCUMENTS

DATE: 7-30-15  
PROJ NO: 13-073

REVISIONS

#	DESC	DATE
2	ADDENDUM #2	3/3/17

ENLARGED PLANS

3 ENLARGED PLAN @ RR 127 SCALE: 3/8" = 1'-0"

2 ENLARGED PLAN @ RR 120 SCALE: 3/8" = 1'-0"

1 ENLARGED FLOOR PLAN SCALE: 1/4" = 1'-0"